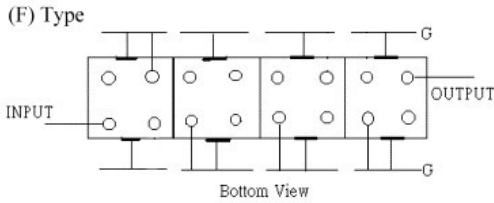
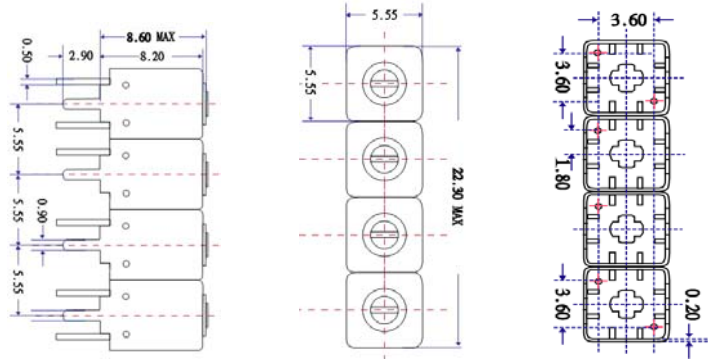


# VHF UHF Helical Filter Specification Sheet

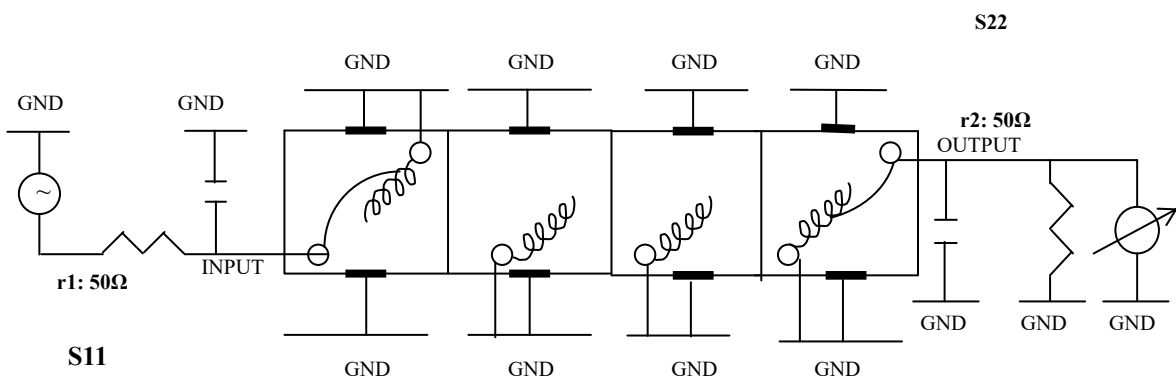
Customer Name		Temwell's Part No.	TFW4472F-612M
Approval No. /dated	201801063CD	Temwell's Print name	4472F 612M
Work Instruction No.	201801063CD	Date	Jan.18.2018

<p>(1) Pin Position</p>  <p>(F) Type</p> <p>Bottom View</p>	<p>(2) Size Diagram</p> 
--	--

(3) Electric Characteristic			
Item	Specify		Performance
Center Freq.(Fo ) +/- 0.5 %	612	MHz	612 MHz
Insertion Loss	Typ. 3.5	dB	2.85 dB
-3 dB Bandwidth	Typ. 30	MHz	32.8 MHz
Sensitivity (Attenuation)	Fo - 50 MHz	Typ. 35 dBc	42 dBc
	Fo + 50 MHz	Typ. 30 dBc	37 dBc
	Fo - ( )MHz	Typ. dBc	dBc
	Fo +( )MHz	Typ. dBc	dBc
Return Loss	Min. 12	dB	18.9 dB
Ripple	< 1	dB	dB
Impedance	In / Out : 50 Ω		In / Out : 50 Ω
(4) Torque for Tuning Screw	> 60gf · cm		

(5) Temperature Condition:	
Operating Temperature	0°C ~ +60°C
Storage Temperature	-20°C ~ +70°C
(6) Input Power	> 0.5Watt

(7) Measuring Circuit: ※Easy to match Impedance S11/S22 50Ω by parallel with about(-).



(Bottom View)

Approval	Supervisor	Designer	Aperture size
C.Y.Chang	C.K.Chang	P.H.Chiang	5HW4S-3.8*4.5(4.55) 5HW024RB3

TEMWELL CORPORATION

# Performance-TFW4472F-612M

## 201801063CD

