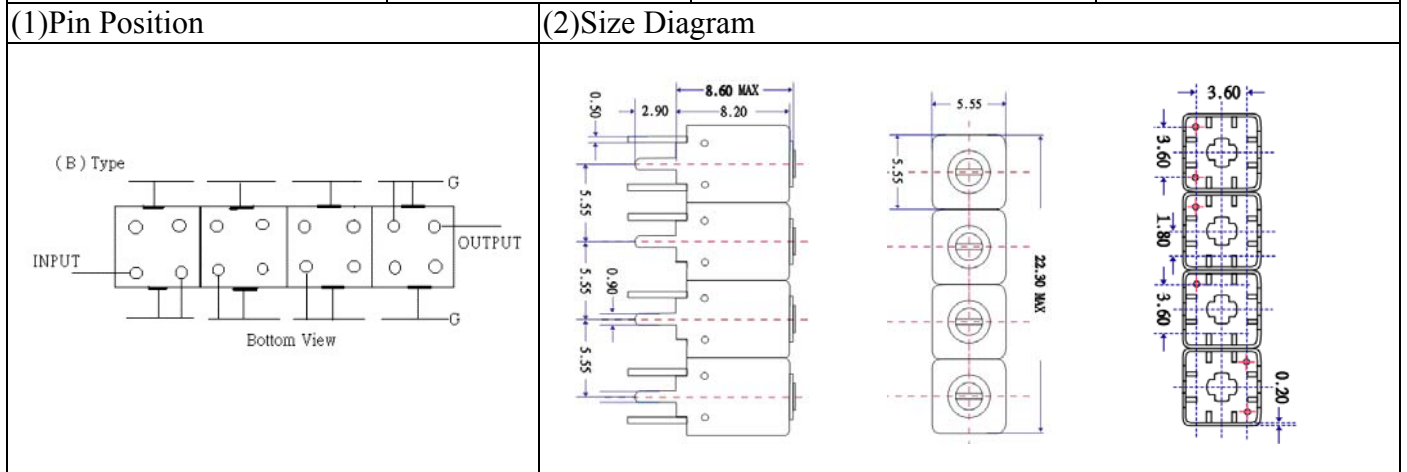


VHF UHF Helical Filter Specification Sheet

Customer Name		Temwell's Part No.	TFW4471B-612M
Approval No. /dated	201801062CD	Temwell's Print name	4471B 612M
Work Instruction No.	201801062CD	Date	Mar.15.2018



(3) Electric Characteristic

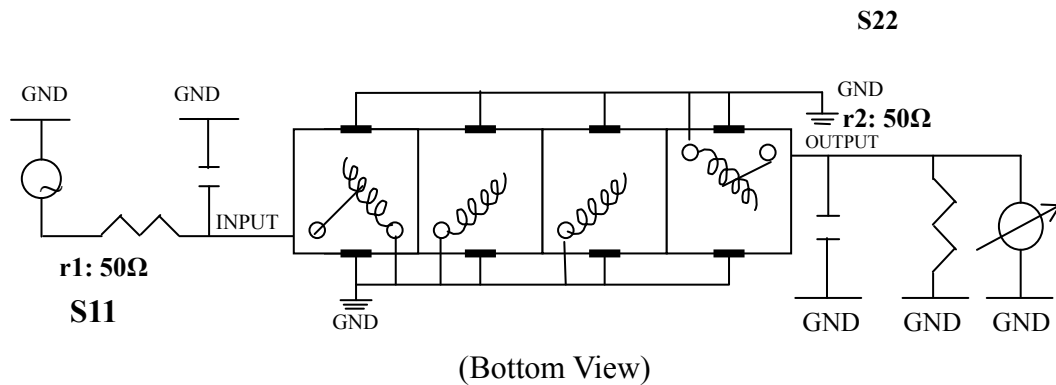
Item		Specify	Performance
Center Freq.(Fo) +/- 0.5 %		612 MHz	612 MHz
Insertion Loss		Typ. 4.0 dB	3.33 dB
-3 dB Bandwidth		Typ. 19 MHz	26.5 MHz
Sensitivity (Attenuation)	Fo - 50 MHz	Typ. 55 dBc	60 dBc
	Fo + 50 MHz	Typ. 36 dBc	41 dBc
	Fo - ()MHz	Typ. dBc	dBc
	Fo +()MHz	Typ. dBc	dBc
Return Loss		Min. 12 dB	25.3 dB
Ripple		< 1 dB	dB
Impedance		In / Out : 50 Ω	In / Out : 50 Ω
(4) Torque for Tuning Screw		> 60gf · cm	

(5) Temperature Condition:

Operating Temperature	0°C ~ +60°C
Storage Temperature	-20°C ~ +70°C

(6) Input Power

(7) Measuring Circuit: ※Easy to match Impedance S11/S22 50Ω by parallel with about(- -).



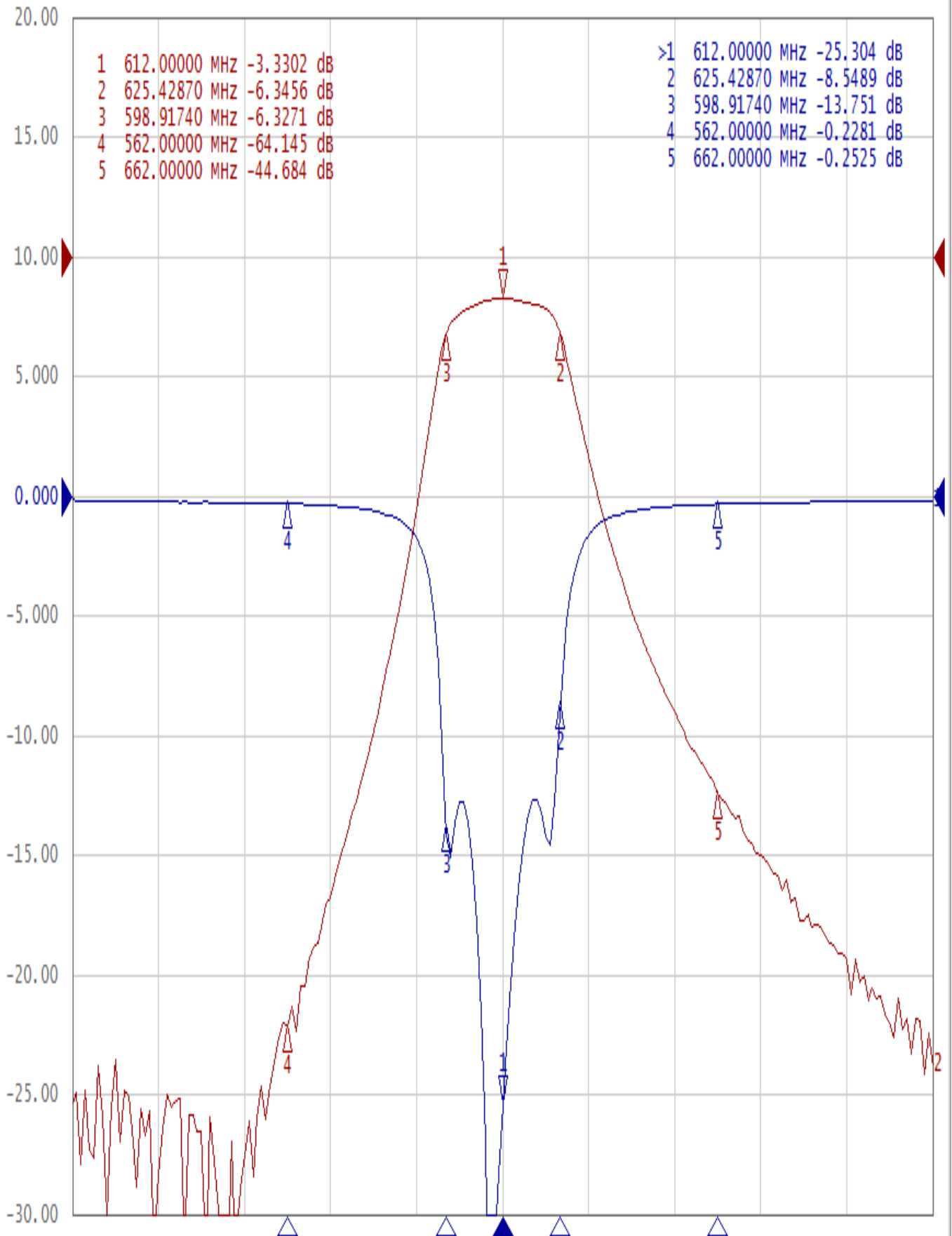
Approval	Supervisor	Designer	Aperture size
C.Y.Chang	C.K.Chang	C.S.Chang	5W4S(3.8*4.0)(4.03) 5HW024RB3

TEMWELL CORPORATION

Performance-TFW4471B-612M

201801062CD

Tr1 S11 Log Mag 5.000dB/ Ref 0.000dB [F2]
Tr2 S21 Log Mag 10.00dB/ Ref 0.000dB [F2]



1 Center 612 MHz

IFBW 70 kHz

Span 200 MHz Cor!