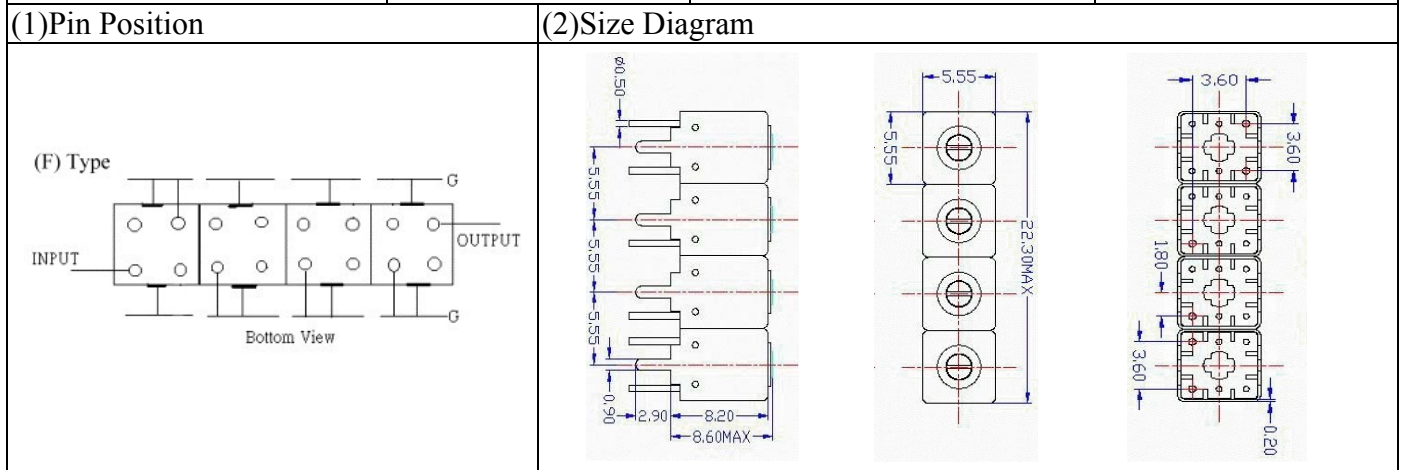


VHF UHF Helical Filter Specification Sheet

Customer Name		Temwell's Part No.	TFW4461F-575M
Approval No. /dated	201303005CD	Temwell,s print Name	4461F 575M
Work Instruction No.	201303005CD	Date	Mar.08.2013



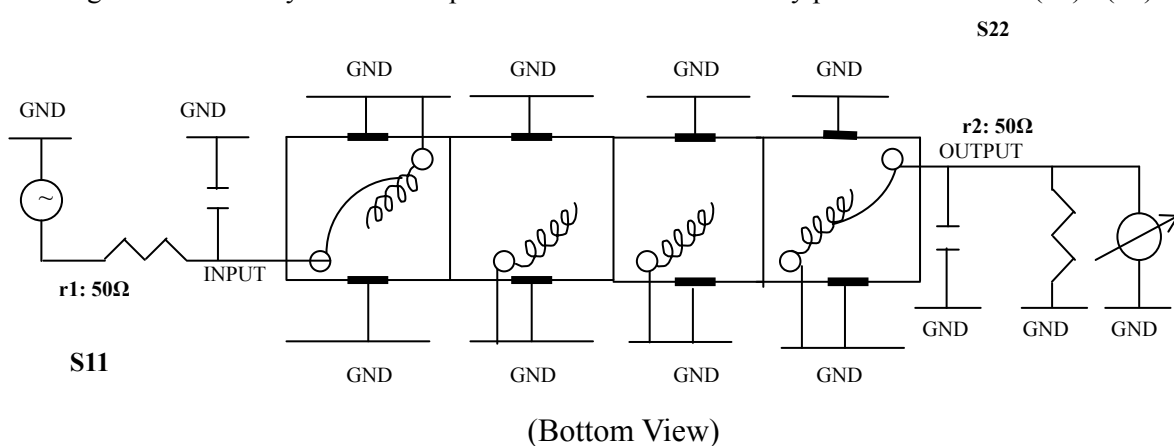
(3)Electric Charasteric			
Item		Specify	Performance
Center Freq.(Fo) +/- 0.5 %		575 MHz	575 MHz
Insertion Loss		Typ. 4.5 dB	3.51 dB
-3 dB Bandwidth		Typ. 19 MHz	23.1 MHz
Sensitivity (Attenuation)	Fo - 50 MHz	Typ. 54 dBc	57 dBc
	Fo + 50 MHz	Typ. 51 dBc	54 dBc
	Fo - ()MHz	Typ. dBc	dBc
	Fo +()MHz	Typ. dBc	dBc
Return Loss		Min. 12 dB	25.8 dB
Ripple		< 1 dB	dB
Impedance		In / Out : 50 Ω	In / Out : 50 Ω

(4)Torque for Tuning Screw > 60gf • cm

(5)Temperature Condition:
 Operating Temperature 0°C ~ +60°C
 Storage Temperature -20°C ~ +70°C

(6)Input Power > 0.5Watt

(7) Measuring Circuit: ※Easy to match Impedance S11/S22 50Ω/50Ω by parallel with about() / ().



Approval	Supervisor	Designer	Aperture size
C.Y.Chang	C.K.Chang	F.L.Lai	5W4S(3.8*4.0)(4.05) 5HW024RB3

TEMWELL CORPORATION

TEMWELL

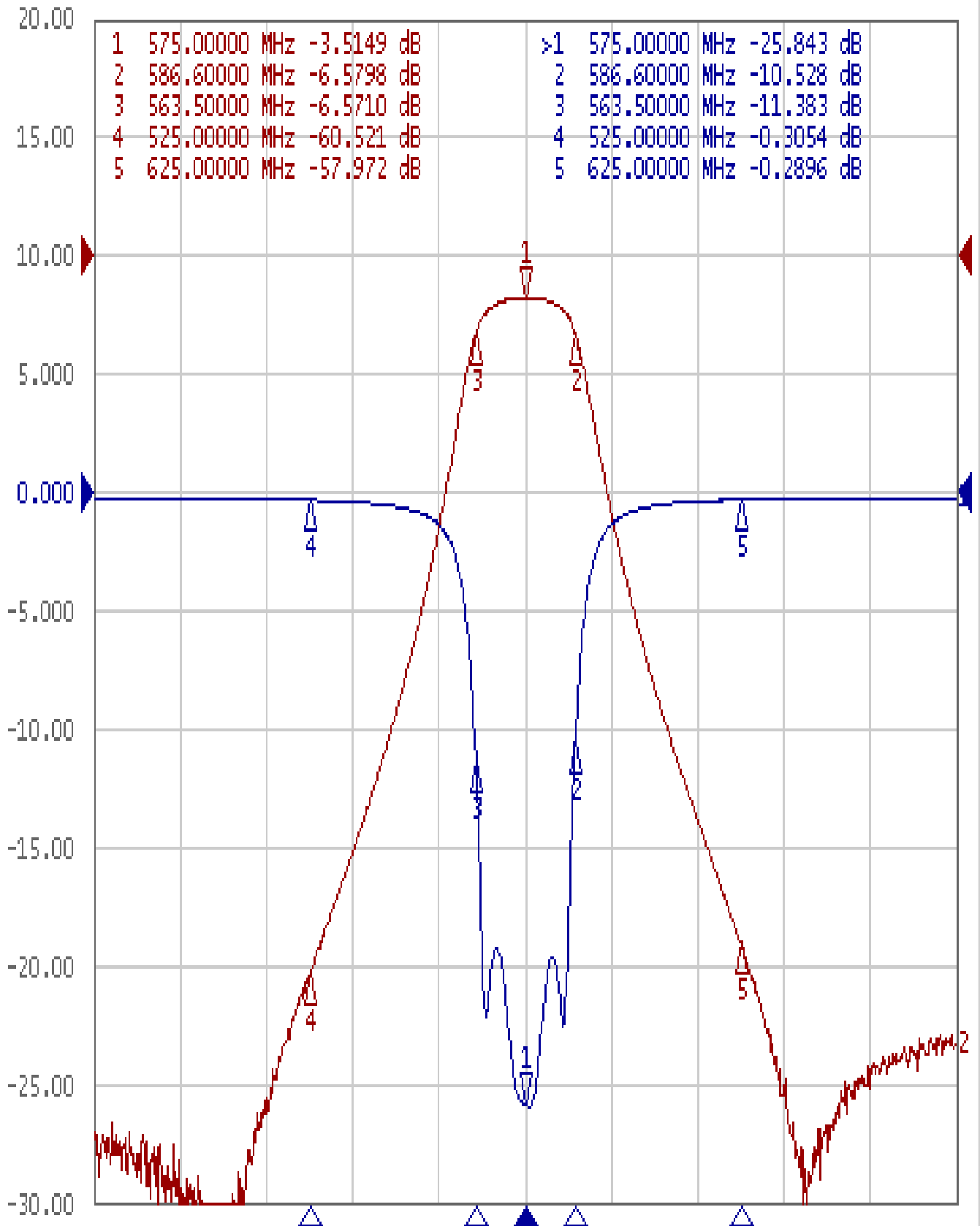
Form10-5H4F Vision D RP(F.L.L)

Performance-TFW4461F-575M

201303005CD

▶ Tr1 S11 Log Mag 5.000dB/ Ref 0.000dB [F2]

Tr2 S21 Log Mag 10.00dB/ Ref 0.000dB [F2]



1 Center 575 MHz

IFBW 10 kHz

Span 200 MHz Cor !