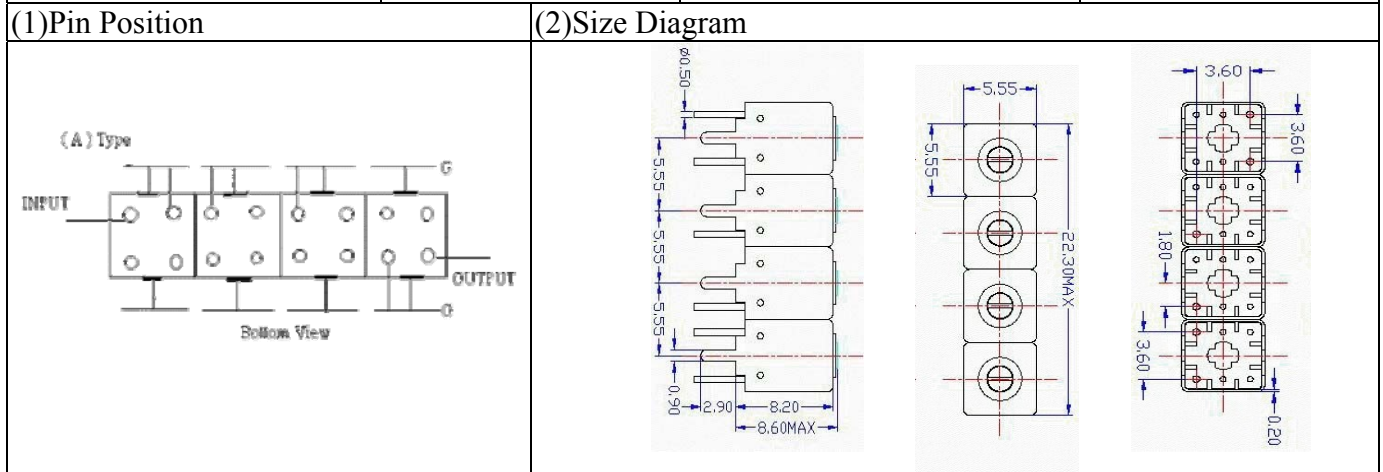


VHF UHF Helical Filter Specification Sheet

Customer Name		Temwell's Part No.	TFW4439A-475M
Approval No. /dated	201302035CD	Temwell's Print Name	4439A 475M
Work Instruction No.	201302035CD	Date	Mar.06.2013



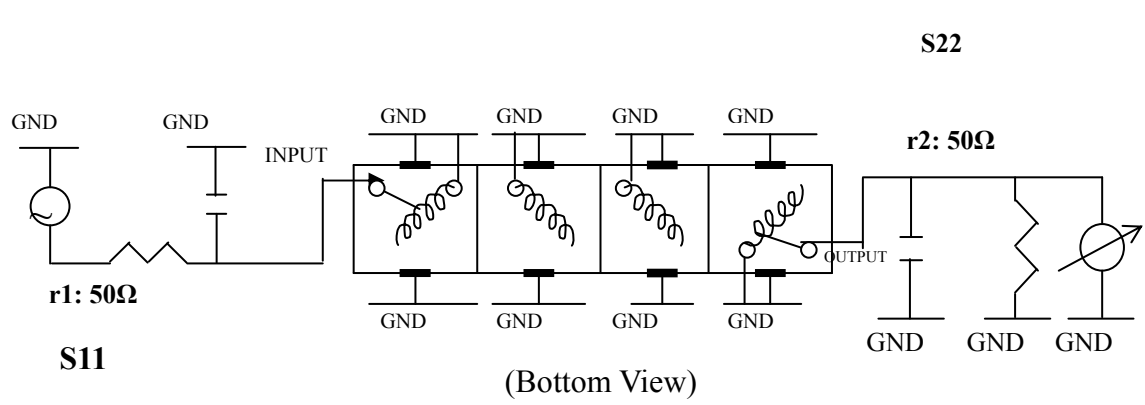
Item		Specify	Performance
Center Freq.(Fo) +/- 0.5 %		475 MHz	475 MHz
Insertion Loss		Typ. 4.0 dB	3.08 dB
-3 dB Bandwidth		Typ. 22 MHz	24.5 MHz
Sensitivity (Attenuation)	Fo - 30 MHz	Typ. 31 dBc	34 dBc
	Fo + 30 MHz	Typ. 25 dBc	28 dBc
	Fo - ()MHz	Typ. dBc	dBc
	Fo +()MHz	Typ. dBc	dBc
Return Loss		Min. 12 dB	24.8 dB
Ripple		< 1 dB	dB
Impedance		In / Out : 50 Ω	In / Out : 50 Ω

(4) Torque for Tuning Screw > 60gf · cm

(5) Temperature Condition:	
Operating Temperature	0°C ~ +60°C
Storage Temperature	-20°C ~ +70°C

(6) Input Power > 0.5Watt

(7) Measuring Circuit: ※Easy to match Impedance S11/S22 50Ω by parallel with about(--)



Approval	Supervisor	Designer	Aperture size
C.Y.Chang	C.K.Chang	C.S.Chang	5W4S(3.8*4.0)(4.12) 5HW020RB3.5

TEMWELL CORPORATION

Performance-TFW4439A-475M

201302035CD

