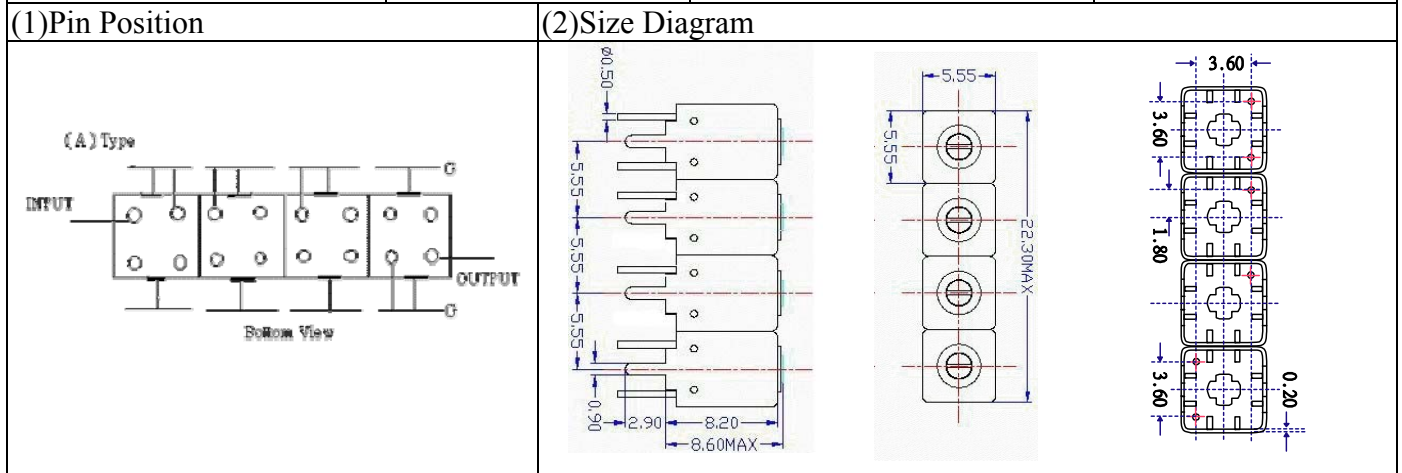
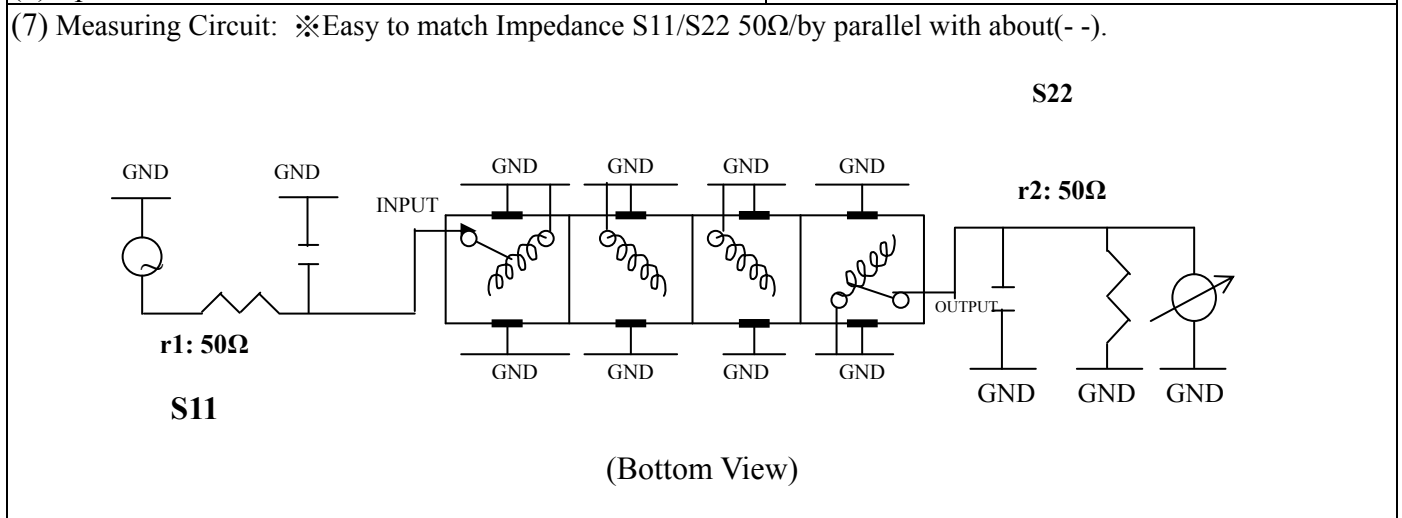


# VHF UHF Helical Filter Specification Sheet

Customer Name		Temwell's Part No.	TFW4438A-460M
Approval No. /dated	201801053CD	Temwell,s print Name	4438A 460M
Work Instruction No.	201801053CD	Date	Feb.01.2018



(3) Electric Characteristic			
Item		Specify	Performance
Center Freq.(Fo ) +/- 0.5 %		460 MHz	460 MHz
Insertion Loss		Typ. 4.5 dB	3.28 dB
-3 dB Bandwidth		Typ. 17 MHz	21.7 MHz
Sensitivity (Attenuation)	Fo - 50 MHz	Typ. 62 dBc	67 dBc
	Fo + 50 MHz	Typ. 47 dBc	52 dBc
	Fo - ( )MHz	Typ. dBc	dBc
	Fo +( )MHz	Typ. dBc	dBc
Return Loss		Min. 12 dB	29.6 dB
Ripple		< 1 dB	dB
Impedance		In / Out : 50 Ω	In / Out : 50 Ω
(4) Torque for Tuning Screw		> 60gf · cm	
(5) Temperature Condition:			
Operating Temperature		-0°C ~ +60°C	
Storage Temperature		-20°C ~ +70°C	
(6) Input Power		> 0.5Watt	

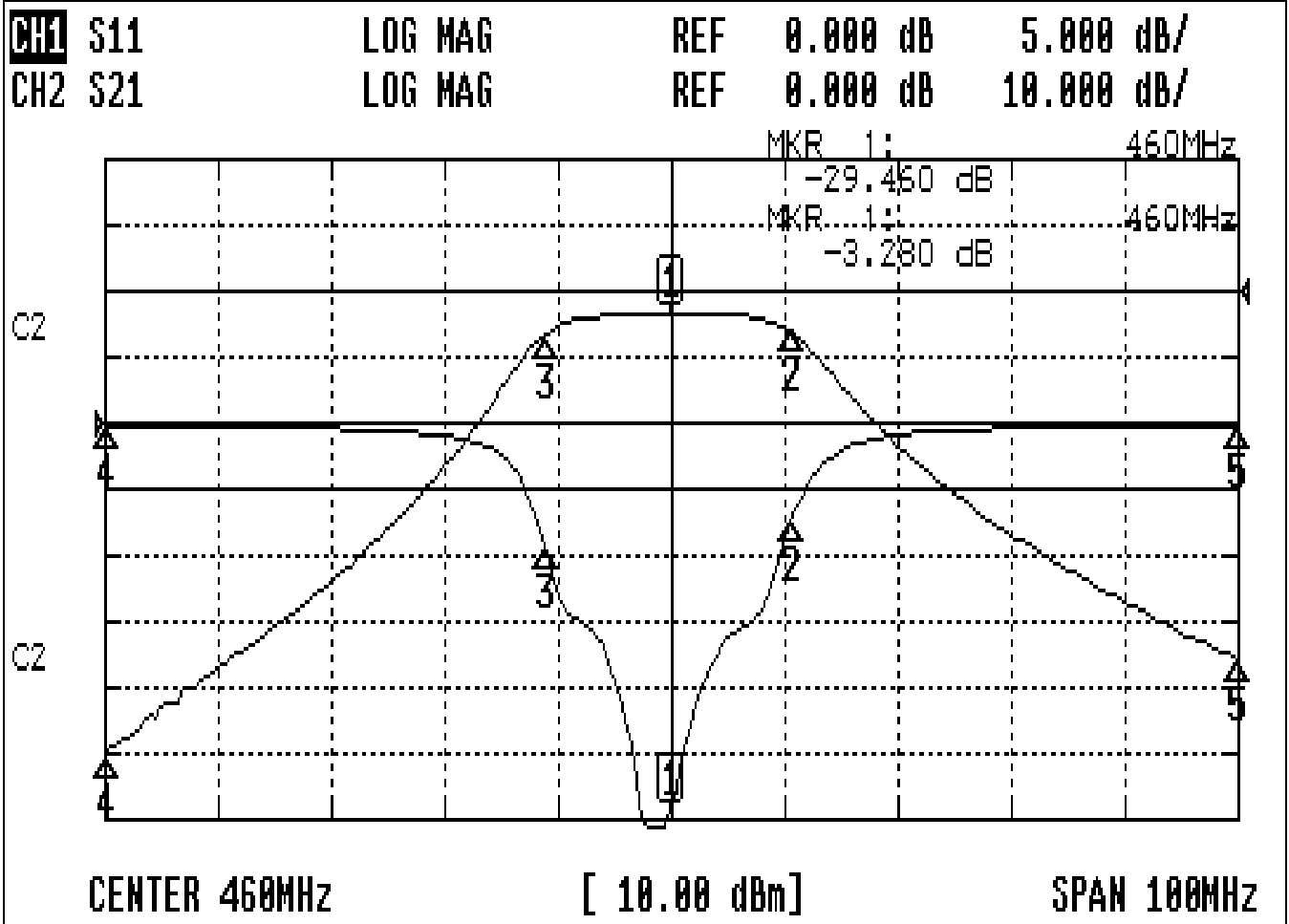


Approval	Supervisor	Designer	Aperture size
C.Y.Chang	C.K.Chang	W.W.Wang	5W4S(3.8*4.5)(4.54) 5HW024RB3(J1)

TEMWELL CORPORATION

# Performance-TFW4438A-460M

## 201801053CD



### CH1 MARKER LIST

1:	460.000MHz	-29.647 dB
2:	470.666MHz	-7.341 dB
3:	448.916MHz	-9.301 dB
4:	410.000MHz	-0.221 dB
5:	510.000MHz	-0.204 dB

### CH2 MARKER LIST

1:	460.000MHz	-3.280 dB
2:	470.666MHz	-6.307 dB
3:	448.916MHz	-6.386 dB
4:	410.000MHz	-71.149 dB
5:	510.000MHz	-55.848 dB