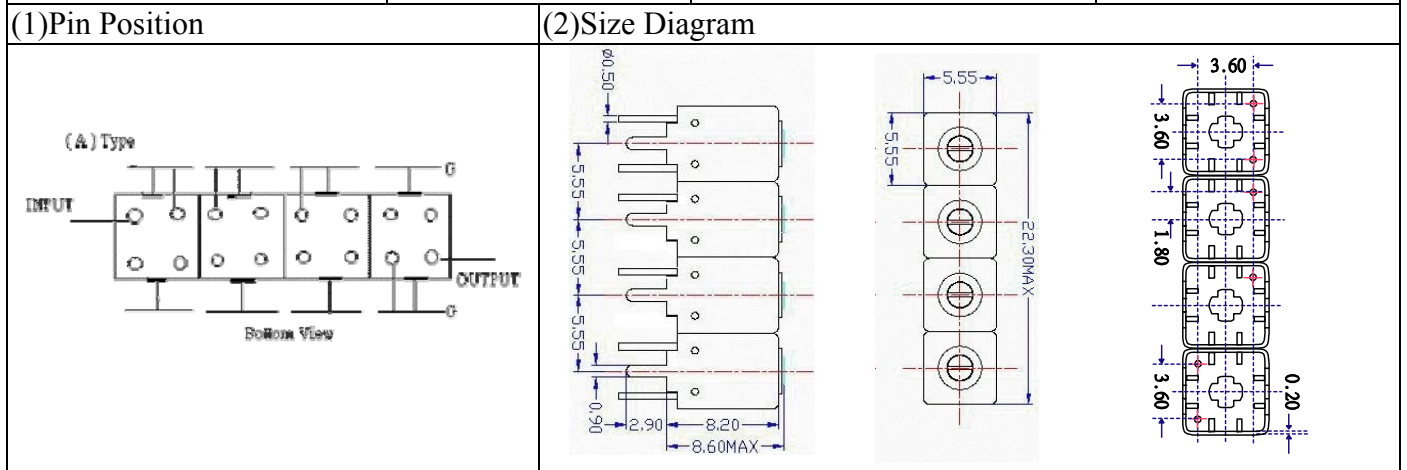


VHF UHF Helical Filter Specification Sheet

Customer Name		Temwell's Part No.	TFW4436A-400M
Approval No. /dated	201801039CD	Temwell,s print Name	4436A 400M
Work Instruction No.	201801039CD	Date	Mar.12.2018



(3)Electric Charasteric

Item	Specify	Performance	
Center Freq.(Fo) +/- 0.5 %	400 MHz	400 MHz	
Insertion Loss	Typ. 4.0 dB	3.02 dB	
-3 dB Bandwidth	Typ. 18 MHz	22.8 MHz	
Sensitivity (Attenuation)	Fo - 50 MHz	Typ. 59 dBc	64 dBc
	Fo + 50 MHz	Typ. 37 dBc	43 dBc
	Fo - ()MHz	Typ. dBc	dBc
	Fo +()MHz	Typ. dBc	dBc
Return Loss	Min. 12 dB	17.9 dB	
Ripple	< 1 dB	dB	
Impedance	In / Out : 50 Ω	In / Out : 50 Ω	

(4)Torque for Tuning Screw > 60gf · cm

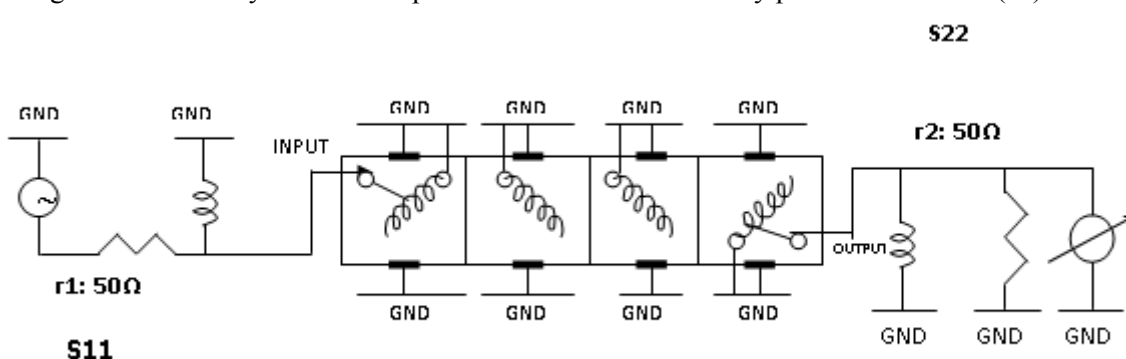
(5)Temperature Condition:

Operating Temperature 0°C ~ +60°C

Storage Temperature -20°C ~ +70°C

(6)Input Power > 0.5Watt

(7) Measuring Circuit: ※Easy to match Impedance S11/S22 50Ω/50Ω by parallel with about(- -).



(Bottom View)

Approval	Supervisor	Designer	Aperture size
C.Y.Chang	C.K.Chang	C.S.Chang	5W4S(3.8*4.5)(4.52) 5HW024RB3

TEMWELL CORPORATION

TEMWELL

Form10-5H4A Vision D

RP(c.s.c)

Performance-TFW4436A-400M

201801039CD

Tr1 511 Log Mag 5.000dB/ Ref 0.000dB [F2]
Tr2 521 Log Mag 10.00dB/ Ref 0.000dB [F2]

