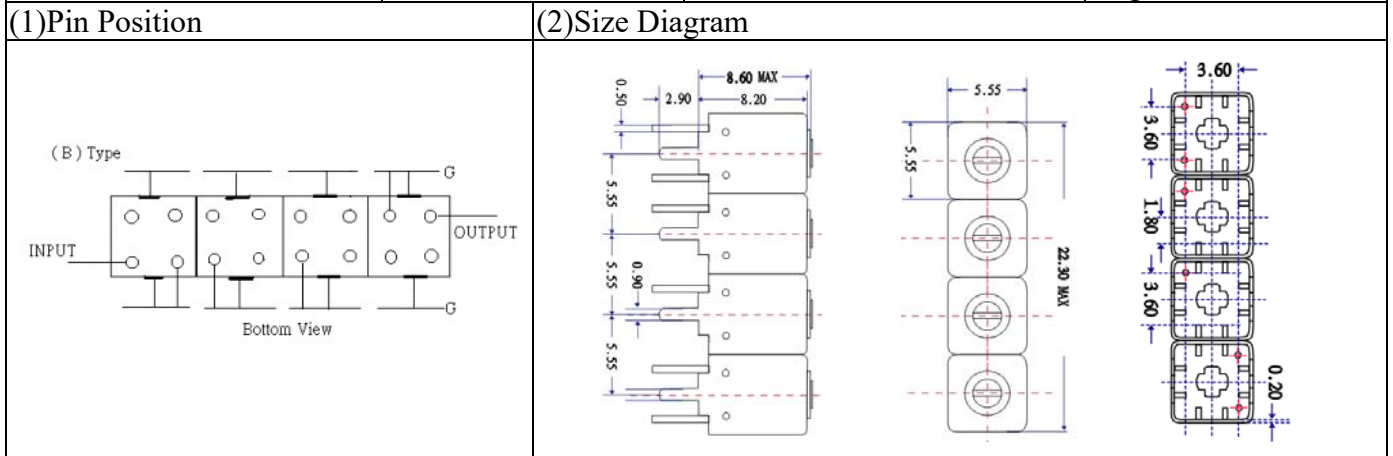


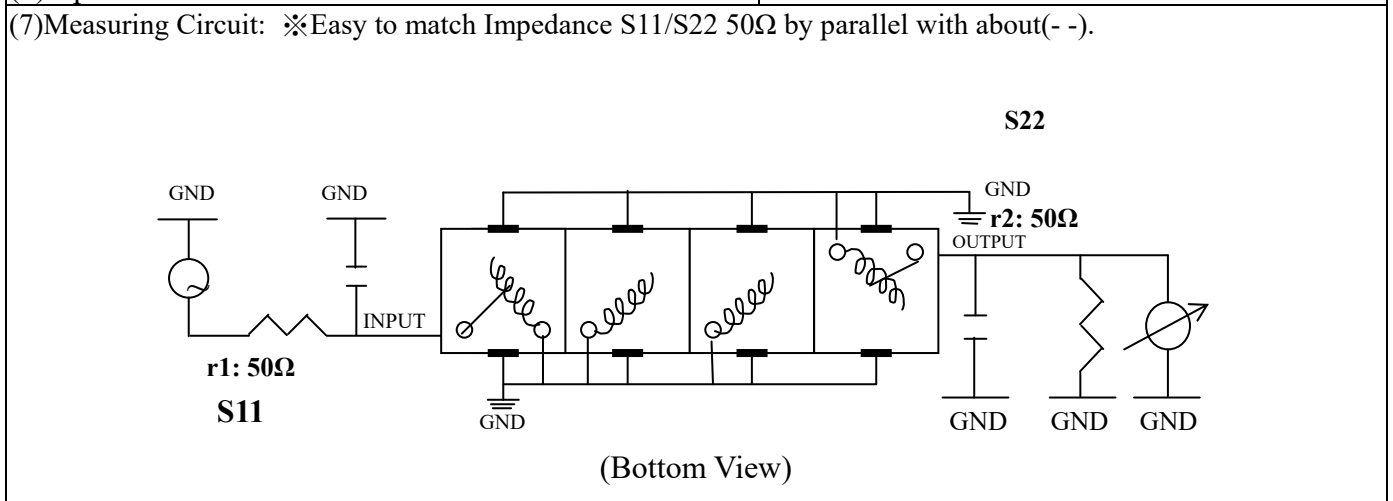
# VHF UHF Helical Filter Specification Sheet

Customer Name		Temwell's Part No.	TFW41122B-2155M
Approval No. /dated	201905091CD	Temwell's Print name	41122B 2155M
Work Instruction No.	201905091CD	Date	Aug.22.2019



(3)Electric Charasteric		Item	Specify	Performance
Center Freq.(Fo ) +/- 0.5 %			2155 MHz	2155 MHz
Insertion Loss		Typ.	5.0 dB	4.06 dB
-3 dB Bandwidth		Typ.	70 MHz	77.2 MHz
Sensitivity (Attenuation)	Fo - 100 MHz	Typ.	34 dBc	38 dBc
	Fo + 100 MHz	Typ.	22 dBc	26 dBc
	Fo - ( )MHz	Typ.	dBc	dBc
	Fo +( )MHz	Typ.	dBc	dBc
Return Loss		Min.	12 dB	21.5 dB
Ripple			< 1 dB	dB
Impedance			In / Out : 50 Ω	In / Out : 50 Ω
(4)Torque for Tuning Screw			> 60gf • cm	

(5)Temperature Condition:	
Operating Temperature	0°C ~ +60°C
Storage Temperature	-20°C ~ +70°C
(6)Input Power	> 0.5Watt

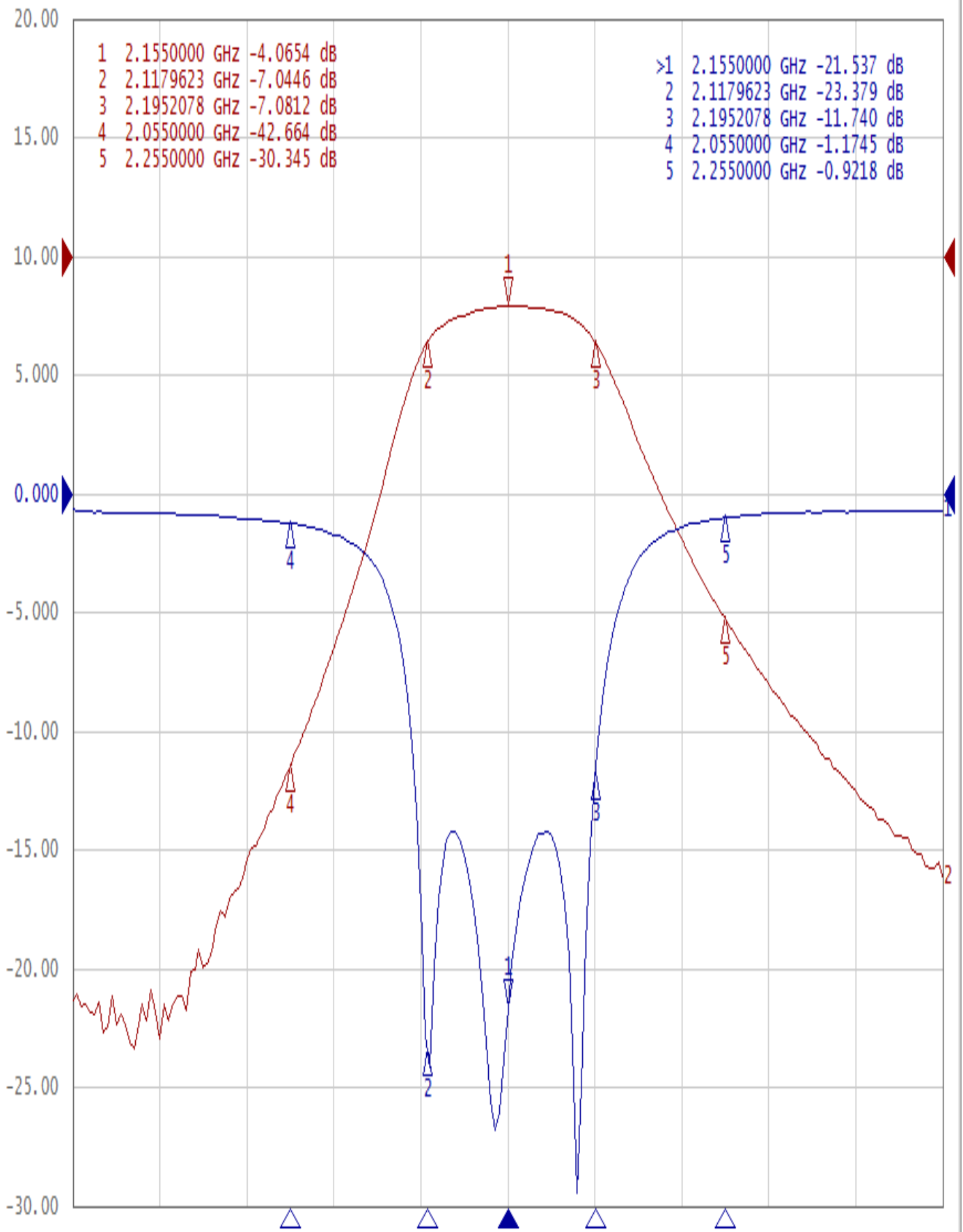


Approval	Supervisor	Designer	Aperture size
C.Y.Chang	C.K.Chang	C.S.Chang	5W4S(3.8*5.1)(5.12)J1 5HW046RB3.2
TEMWELL CORPORATION			

# Performance-TFW41122B-2155M

## 201905091CD

Tr1 S11 Log Mag 5.000dB/ Ref 0.000dB [F2]  
Tr2 S21 Log Mag 10.00dB/ Ref 0.000dB [F2]



1 Center 2.155 GHz

IFBW 70 kHz

Span 400 MHz Cor |