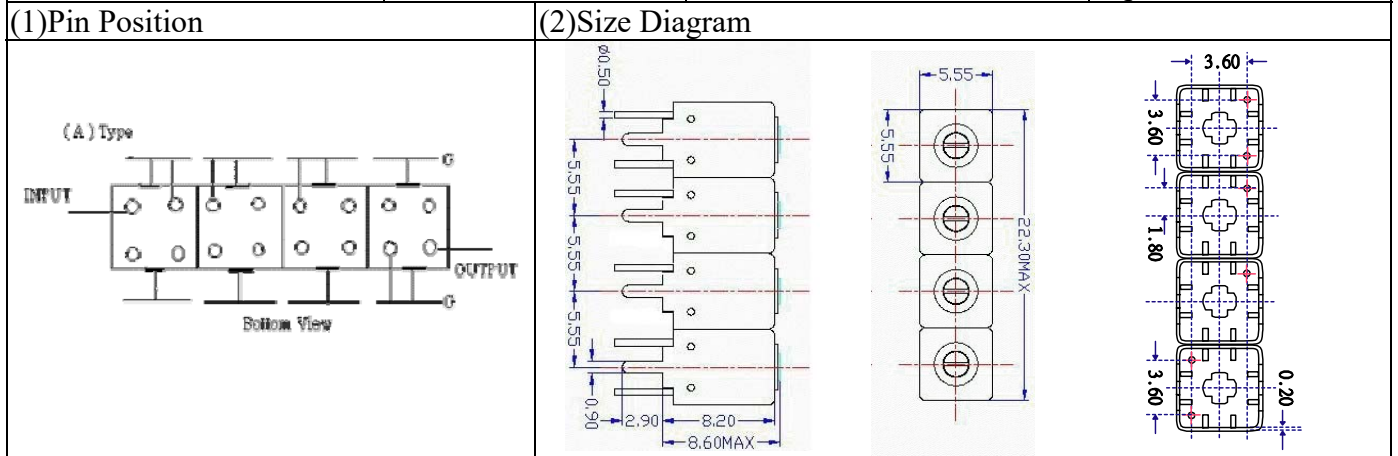


# VHF UHF Helical Filter Specification Sheet

Customer Name		Temwell's Part No.	TFW41108A-1882.5M
Approval No. /dated	201905077CD	Temwell,s print Name	41108A 1882.5M
Work Instruction No.	201905077CD	Date	Sep.02.2019



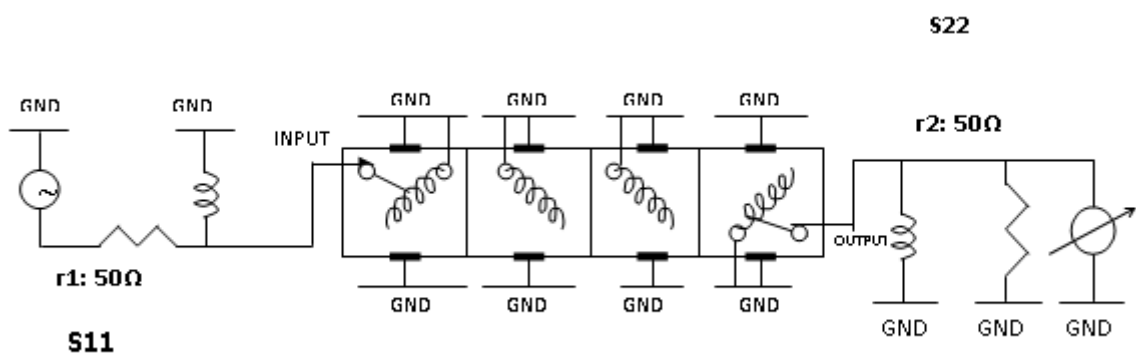
(3)Electric Charasteric			
Item		Specify	Performance
Center Freq.(Fo ) +/- 0.5 %		1882.5 MHz	1882.5 MHz
Insertion Loss		Typ. 4.5 dB	3.46 dB
-3 dB Bandwidth		Typ. 65 MHz	69.4 MHz
Sensitivity (Attenuation)	Fo - 100 MHz	Typ. 43 dBc	48 dBc
	Fo + 100 MHz	Typ. 30 dBc	36 dBc
	Fo - ( )MHz	Typ. dBc	dBc
	Fo +( )MHz	Typ. dBc	dBc
Return Loss		Min. 12 dB	22.7 dB
Ripple		< 1 dB	dB
Impedance		In / Out : 50 Ω	In / Out : 50 Ω

(4)Torque for Tuning Screw > 60gf • cm

(5)Temperature Condition:	
Operating Temperature	0°C ~ +60°C
Storage Temperature	-20°C ~ +70°C

(6)Input Power > 0.5Watt

(7) Measuring Circuit: ※Easy to match Impedance S11/S22 50Ω/50Ω by parallel with about(- -).



(Bottom View)

Approval C.Y.Chang	Supervisor C.K.Chang	Designer C.H.Yeh	Aperture size 5W4S(3.8*4.0)(4.14) 5HW046LB3.2(J1)
-----------------------	-------------------------	---------------------	---

TEMWELL CORPORATION

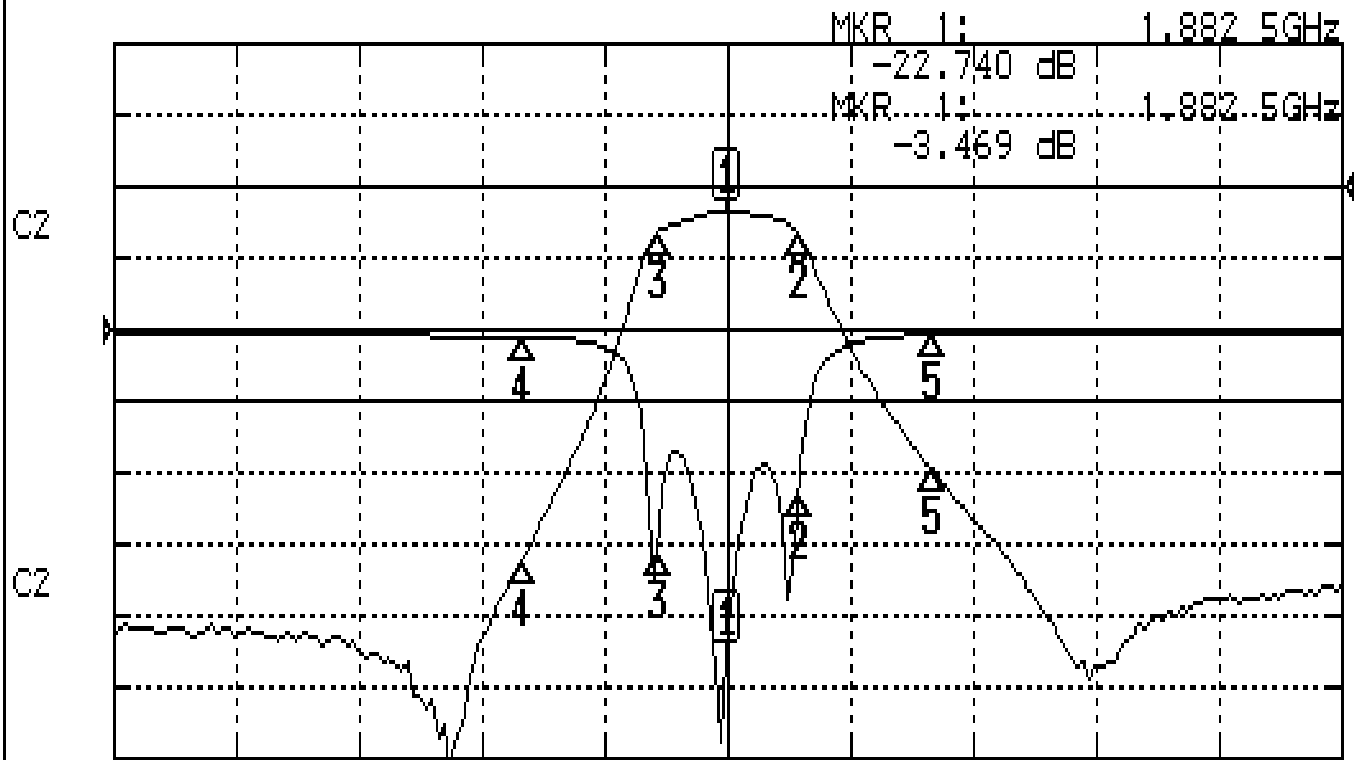
TEMWELL

Form10-5H4A Vision D(C.H.Y)

# Performance-TFW41108A-1882.5M

## 201905077CD

CH1 S11 LOG MAG REF 0.000 dB 5.000 dB/  
CH2 S21 LOG MAG REF 0.000 dB 10.000 dB/



CENTER 1.882 5GHz

[ 10.00 dBm ]

SPAN 600MHz

### CH1 MARKER LIST

Marker	Freq (GHz)	Mag (dB)
1	1.882	-22.756
2	1.917	-11.712
3	1.848	-15.490
4	1.782	-0.479
5	1.982	-0.309

### CH2 MARKER LIST

Marker	Freq (GHz)	Mag (dB)
1	1.882	-3.469
2	1.917	-16.490
3	1.848	-16.448
4	1.782	-31.948
5	1.982	-39.587