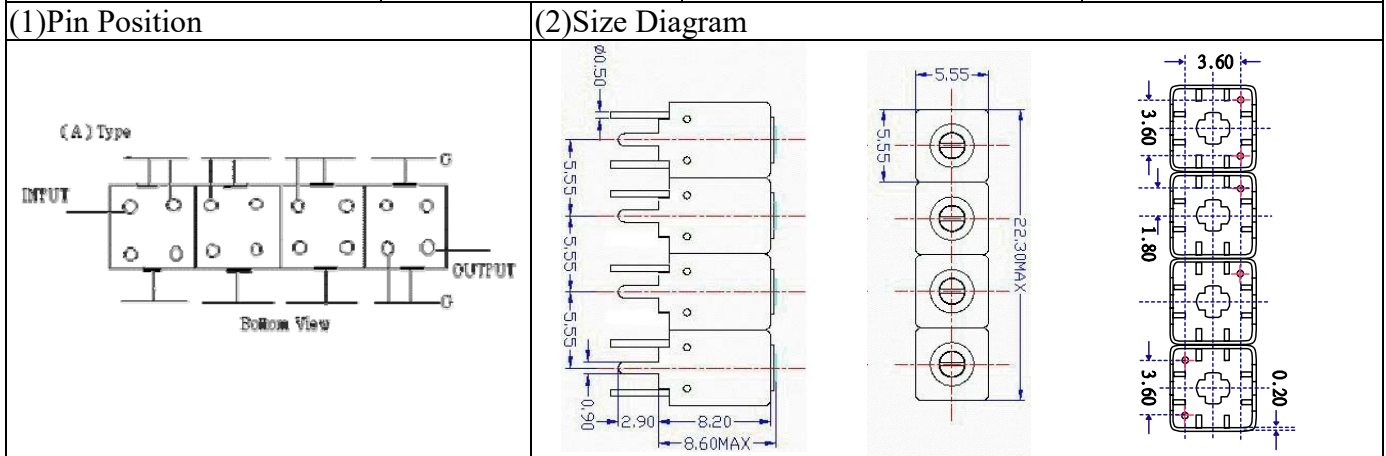


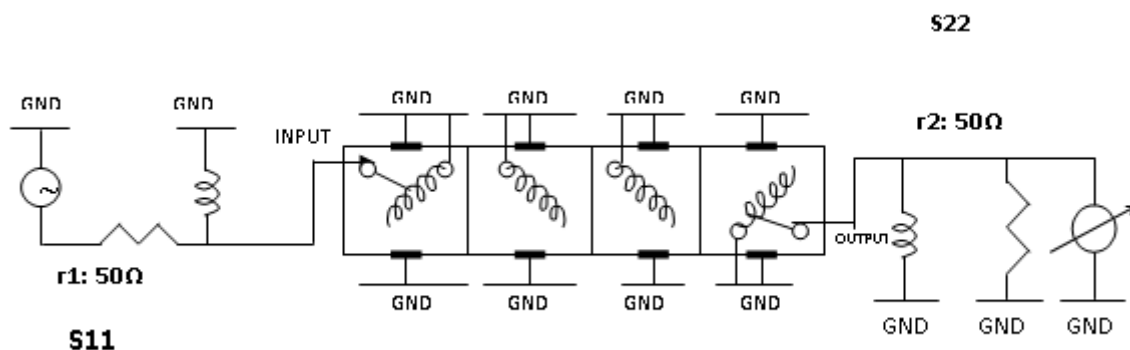
VHF UHF Helical Filter Specification Sheet

Customer Name		Temwell's Part No.	TFW41107A-1880M
Approval No. /dated	201905076CD	Temwell,s print Name	41107A 1880M
Work Instruction No.	201905076CD	Date	Jul.20.2019



(3)Electric Charasteric		Item	Specify	Performance
Center Freq.(Fo) +/- 0.5 %			1880 MHz	1880 MHz
Insertion Loss		Typ.	5.0 dB	4.14 dB
-3 dB Bandwidth		Typ.	60 MHz	63.5 MHz
Sensitivity (Attenuation)	Fo - 100 MHz	Typ.	40 dBc	48 dBc
	Fo + 100 MHz	Typ.	30 dBc	34 dBc
	Fo - ()MHz	Typ.	dBc	dBc
	Fo +()MHz	Typ.	dBc	dBc
Return Loss		Min.	12 dB	21.9 dB
Ripple			< 1 dB	dB
Impedance			In / Out : 50 Ω	In / Out : 50 Ω
(4)Torque for Tuning Screw			> 60gf • cm	
(5)Temperature Condition:				
Operating Temperature			0°C ~ +60°C	
Storage Temperature			-20°C ~ +70°C	
(6)Input Power			> 0.5Watt	

(7) Measuring Circuit: ※Easy to match Impedance S11/S22 50Ω/50Ω by parallel with about(- -).



(Bottom View)

Approval	Supervisor	Designer	Aperture size
C.Y.Chang	C.K.Chang	C.S.Chang	5W4S(3.8*4.0)(4.02) 5HW046LB3.2(J1)

TEMWELL CORPORATION

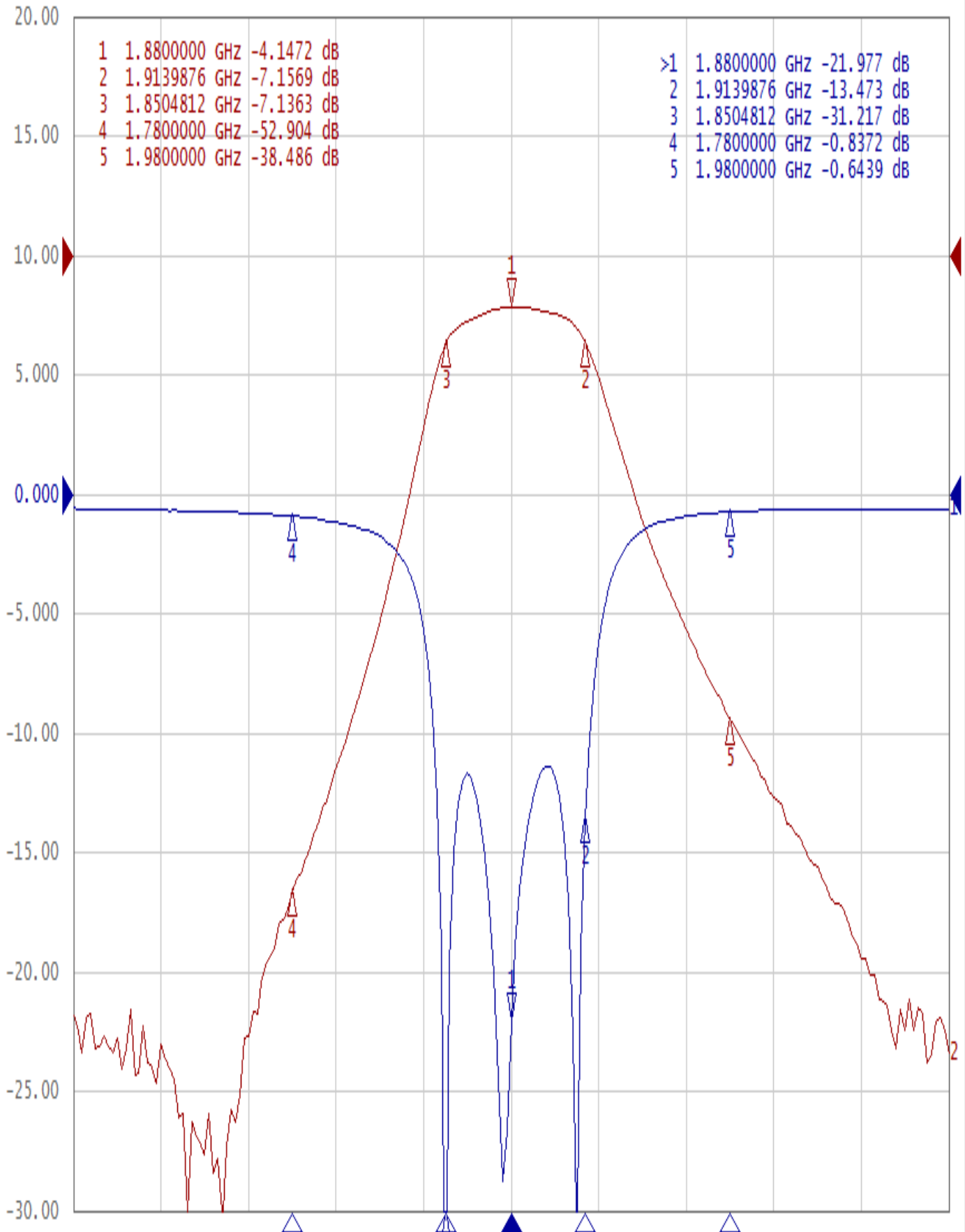
TEMWELL

Form10-5H4A Vision D(C.S.Chang)

Performance-TFW41107A-1880M

201905076CD

Tr1 S11 Log Mag 5.000dB/ Ref 0.000dB [F2]
Tr2 S21 Log Mag 10.00dB/ Ref 0.000dB [F2]



1 Center 1.88 GHz

IFBW 70 kHz

Span 400 MHz Cor 1