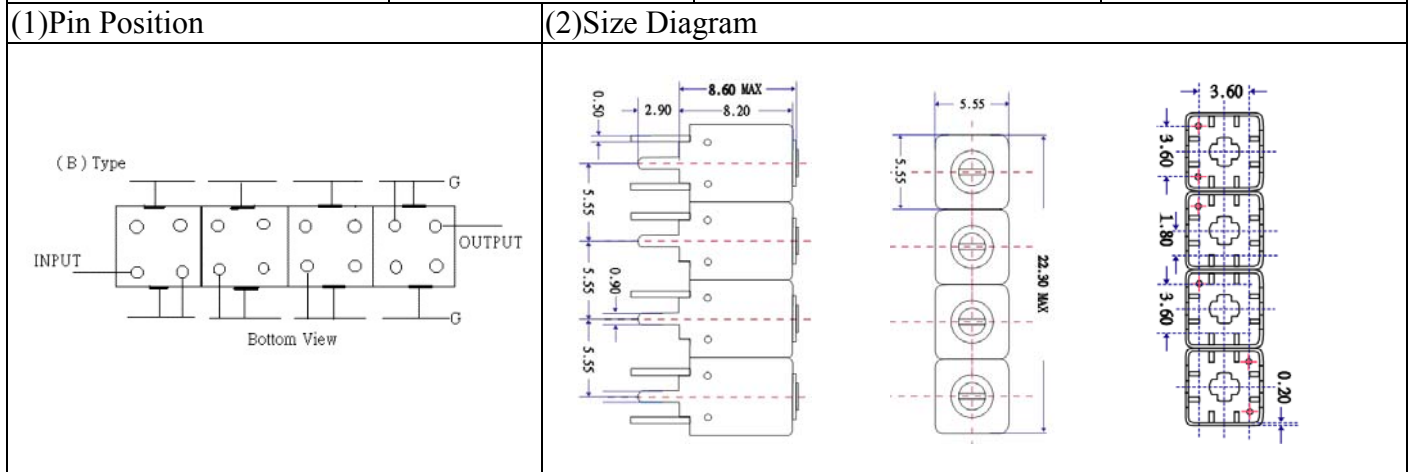


VHF UHF Helical Filter Specification Sheet

Customer Name		Temwell's Part No.	TFW41054B-2400M
Approval No. /dated	201802061CD	Temwell's Print name	41054B 2400M
Work Instruction No.	201802061CD	Date	Jun.6.2018



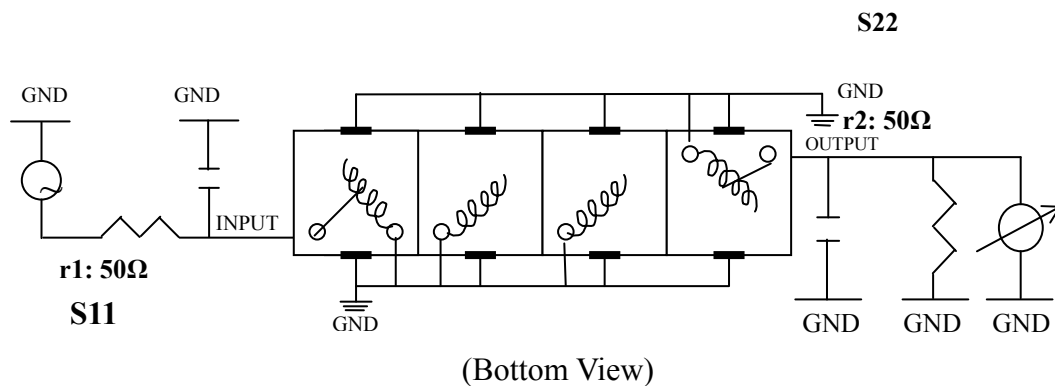
(3) Electric Characteristic

Item	Specify	Performance	
Center Freq.(Fo) +/- 0.5 %	2400 MHz	2400 MHz	
Insertion Loss	Typ. 6.0 dB	4.96 dB	
-3 dB Bandwidth	Typ. 20 MHz	63.8 MHz	
Sensitivity (Attenuation)	Fo - 150 MHz	Typ. 50 dBc	55 dBc
	Fo + 150 MHz	Typ. 35 dBc	40 dBc
	Fo - ()MHz	Typ. dBc	dBc
	Fo +()MHz	Typ. dBc	dBc
Return Loss	Min. 12 dB	22.8 dB	
Ripple	< 1 dB	dB	
Impedance	In / Out : 50 Ω	In / Out : 50 Ω	
(4) Torque for Tuning Screw	> 60gf • cm		

(5) Temperature Condition:

Operating Temperature	0°C ~ +60°C
Storage Temperature	-20°C ~ +70°C
(6) Input Power	> 0.5Watt

(7) Measuring Circuit: ※Easy to match Impedance S11/S22 50Ω by parallel with about(- -).



Approval	Supervisor	Designer	Aperture size
C.Y.Chang	C.K.Chang	C.S.Chang	5W4S(3.8*5.1)(5.12) 5HW046RB3.2

TEMWELL CORPORATION

Performance-TFW41054B-2400M

201802061CD

