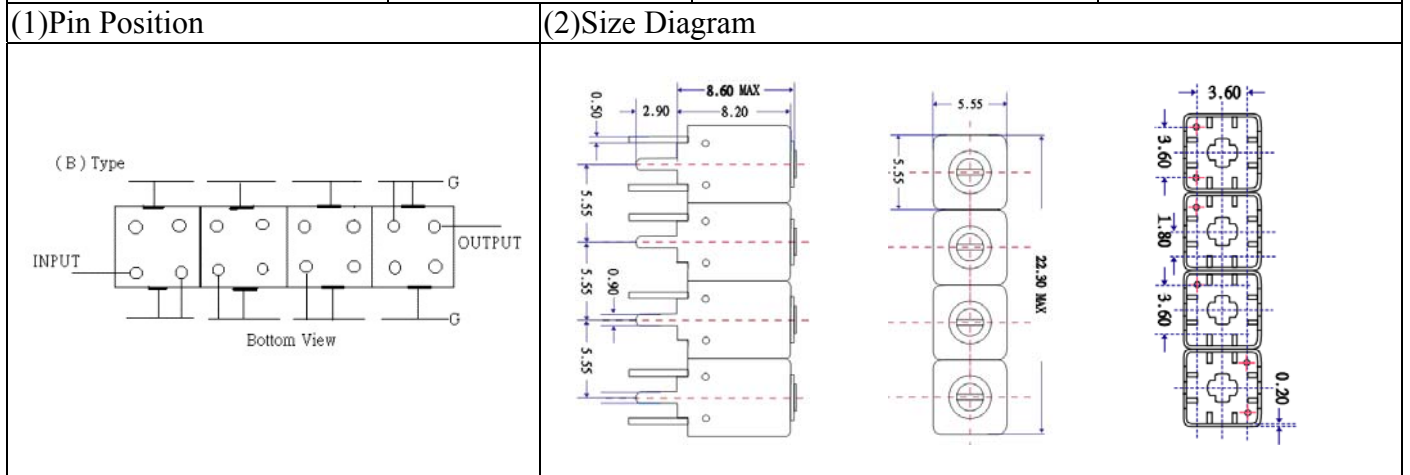


VHF UHF Helical Filter Specification Sheet

Customer Name		Temwell's Part No.	TFW41053B-1800M
Approval No. /dated	201802060CD	Temwell's Print name	41053B 1800M
Work Instruction No.	201802060CD	Date	Mar.27.2018



(3) Electric Characteristic

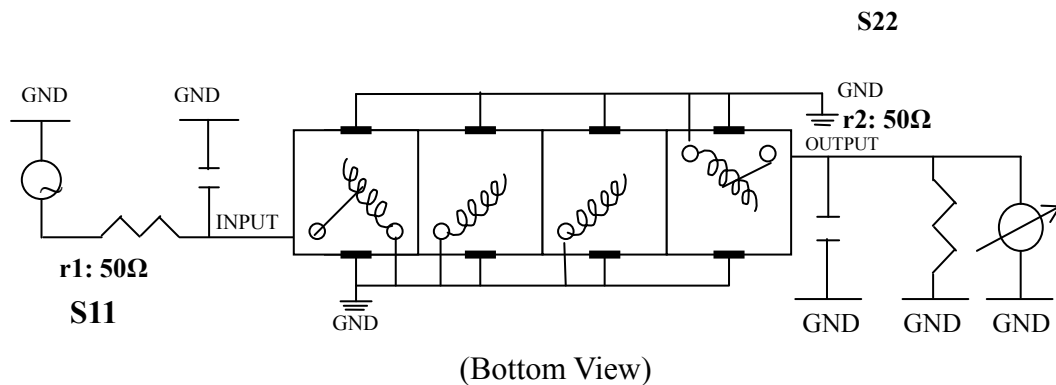
Item		Specify	Performance
Center Freq.(Fo) +/- 0.5 %		1800 MHz	1800 MHz
Insertion Loss		Typ. 9.0 dB	7.97 dB
-3 dB Bandwidth		Typ. 20 MHz	27.3 MHz
Sensitivity (Attenuation)	Fo - 100 MHz	Typ. 56 dBc	61 dBc
	Fo + 100 MHz	Typ. 45 dBc	50 dBc
	Fo - ()MHz	Typ. dBc	dBc
	Fo +()MHz	Typ. dBc	dBc
Return Loss		Min. 12 dB	23.1 dB
Ripple		< 1 dB	dB
Impedance		In / Out : 50 Ω	In / Out : 50 Ω
(4) Torque for Tuning Screw		> 60gf · cm	

(5) Temperature Condition:

Operating Temperature	0°C ~ +60°C
Storage Temperature	-20°C ~ +70°C

(6) Input Power > 0.5Watt

(7) Measuring Circuit: ※Easy to match Impedance S11/S22 50Ω by parallel with about(- -).



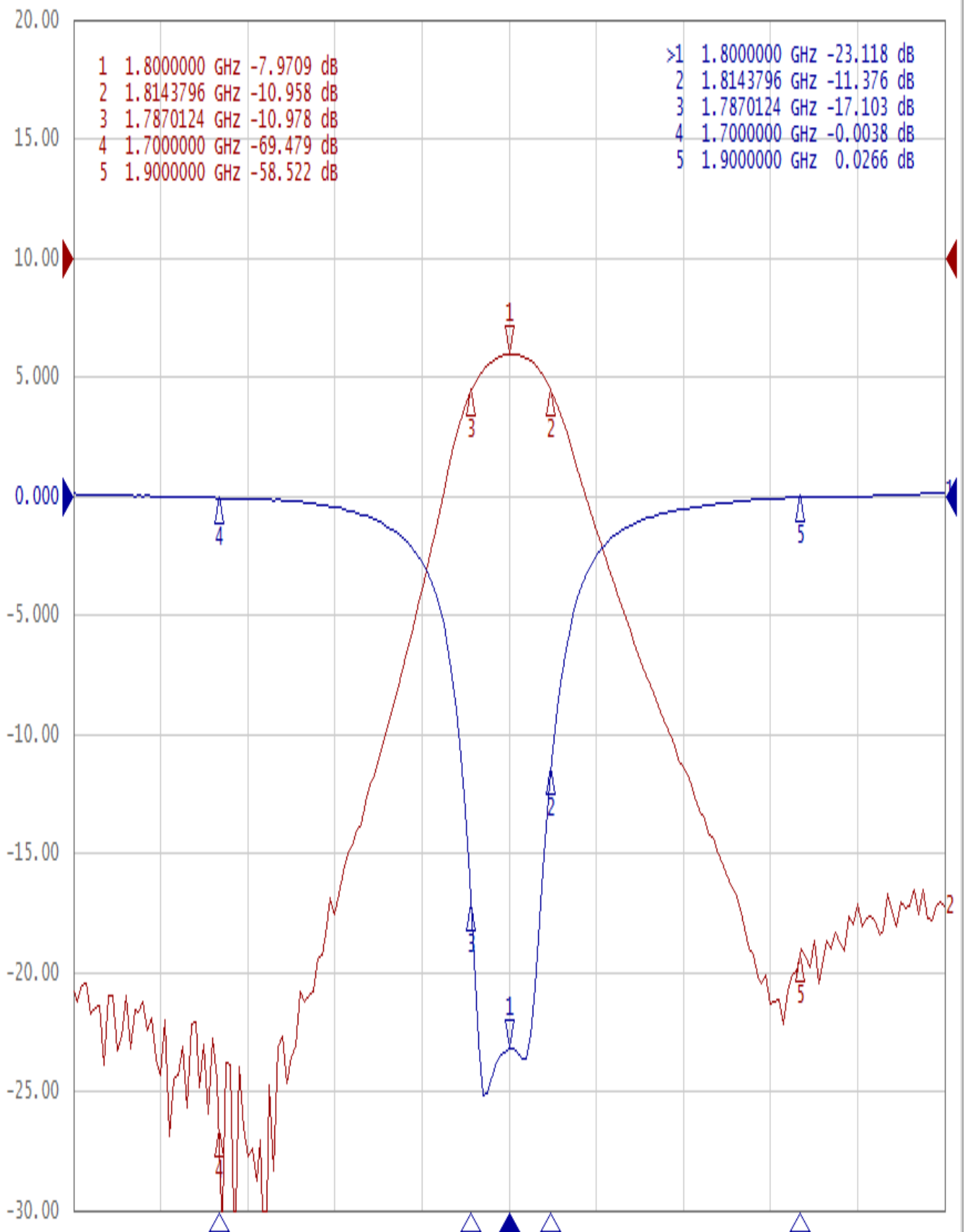
Approval C.Y.Chang	Supervisor C.K.Chang	Designer C.S.Chang	Aperture size 5W4S(3.8*4.0)(4.02) 5HW046RB3.2
-----------------------	-------------------------	-----------------------	---

TEMWELL CORPORATION

Performance-TFW41053B-1800M

201802060CD

Tr1 S11 Log Mag 5.000dB/ Ref 0.000dB [F2]
Tr2 S21 Log Mag 10.00dB/ Ref 0.000dB [F2]



1 Center 1.8 GHz

IFBW 70 kHz

Span 300 MHz Cor !