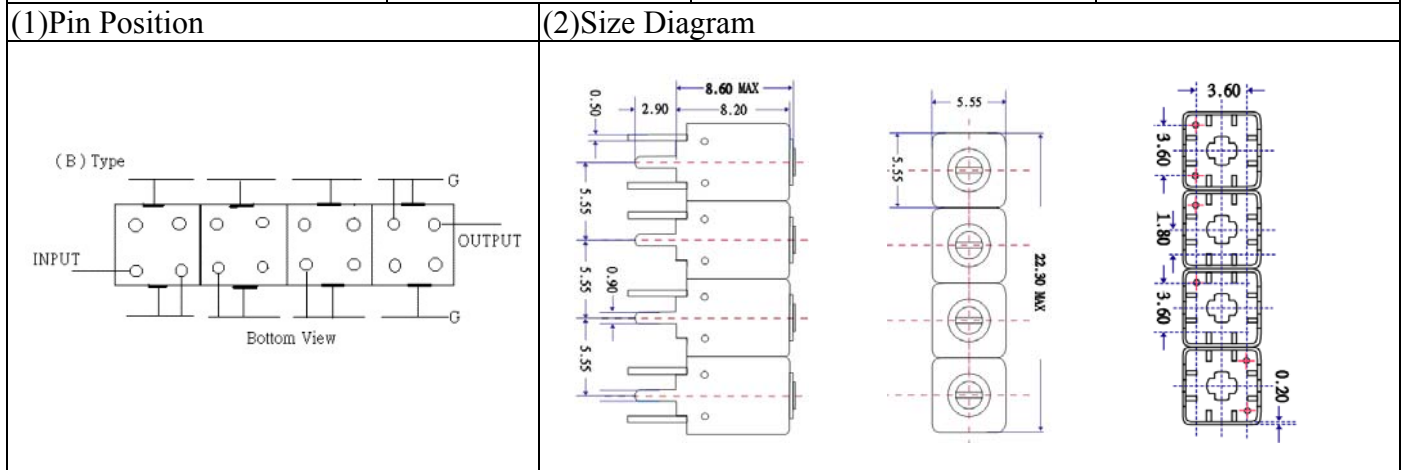


# VHF UHF Helical Filter Specification Sheet

Customer Name		Temwell's Part No.	TFW41042B-2570M
Approval No. /dated	201708030CD	Temwell's Print name	41042B 2570M
Work Instruction No.	201708030CD	Date	Aug.28.2017



### (3) Electric Characteristic

Item	Specify	Performance	
Center Freq.(Fo ) +/- 0.5 %	2570 MHz	2570 MHz	
Insertion Loss	Typ. 3.5 dB	2.49 dB	
-3 dB Bandwidth	Typ. 130 MHz	139.7 MHz	
Sensitivity (Attenuation)	Fo - 200 MHz	Typ. 38 dBc	42 dBc
	Fo + 200 MHz	Typ. 17 dBc	22 dBc
	Fo - ( )MHz	Typ. dBc	dBc
	Fo +( )MHz	Typ. dBc	dBc
Return Loss	Min. 12 dB	28.2 dB	
Ripple	< 1 dB	dB	
Impedance	In / Out : 50 Ω	In / Out : 50 Ω	
(4) Torque for Tuning Screw	> 60gf · cm		

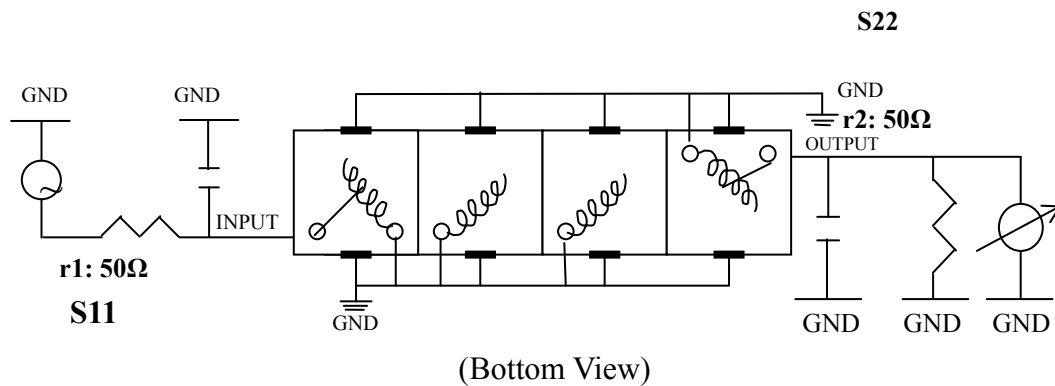
### (5) Temperature Condition:

Operating Temperature	0°C ~ +60°C
Storage Temperature	-20°C ~ +70°C

### (6) Input Power

> 0.5Watt

### (7) Measuring Circuit: ※Easy to match Impedance S11/S22 50Ω by parallel with about(- -).



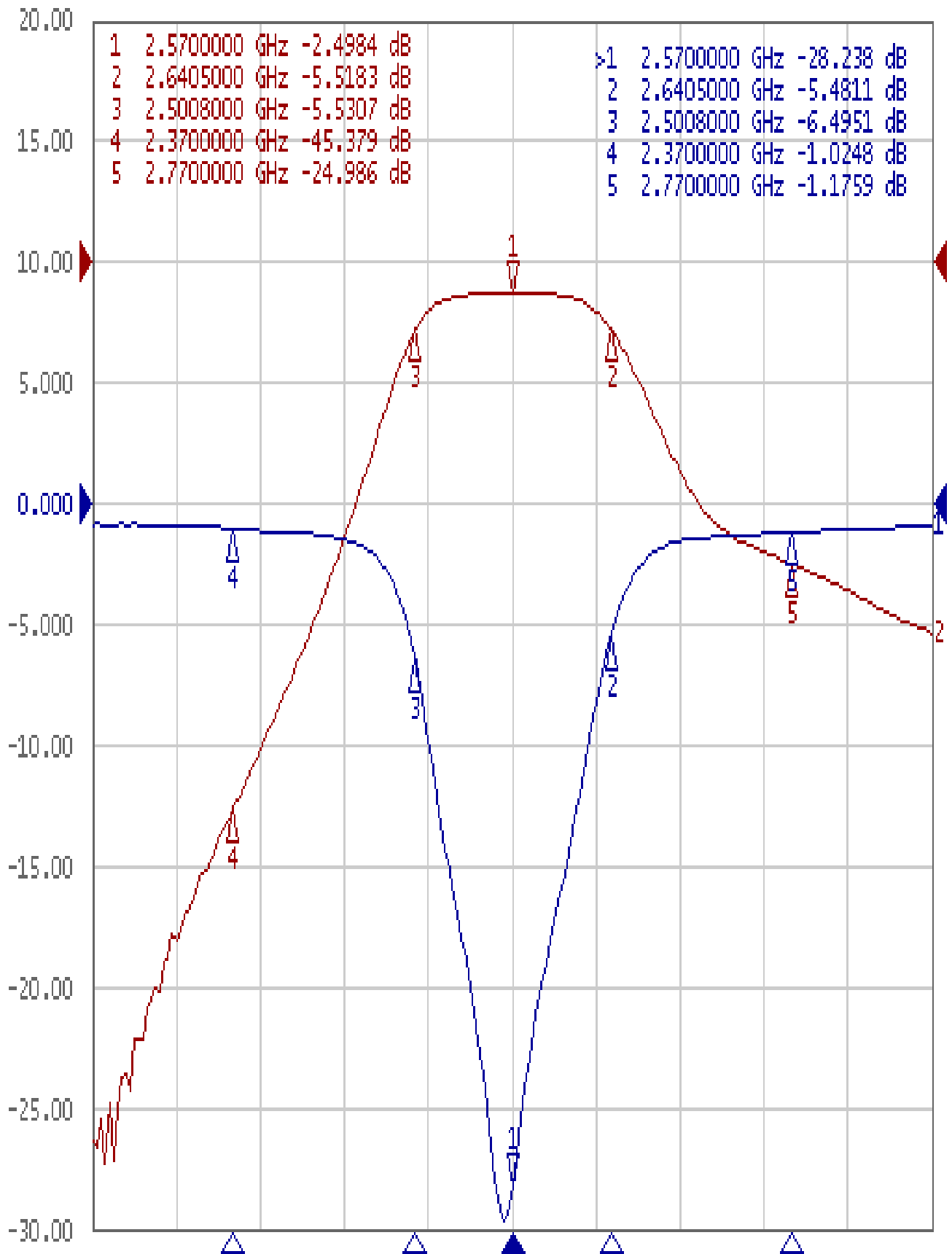
Approval	Supervisor	Designer	Aperture size
C.Y.Chang	C.K.Chang	W.W.Wang	5W4S(3.8*4.5)(4.53) 5HW046RB3.2(J1)

TEMWELL CORPORATION

# Performance-TFW41042B-2570M

## 201708030CD

Tr1 S11 Log Mag 5.000dB/ Ref 0.000dB [F2]  
Tr2 S21 Log Mag 10.00dB/ Ref 0.000dB [F2]



1 Center 2.57 GHz

IFBW 70 kHz

Span 600 MHz

Cor