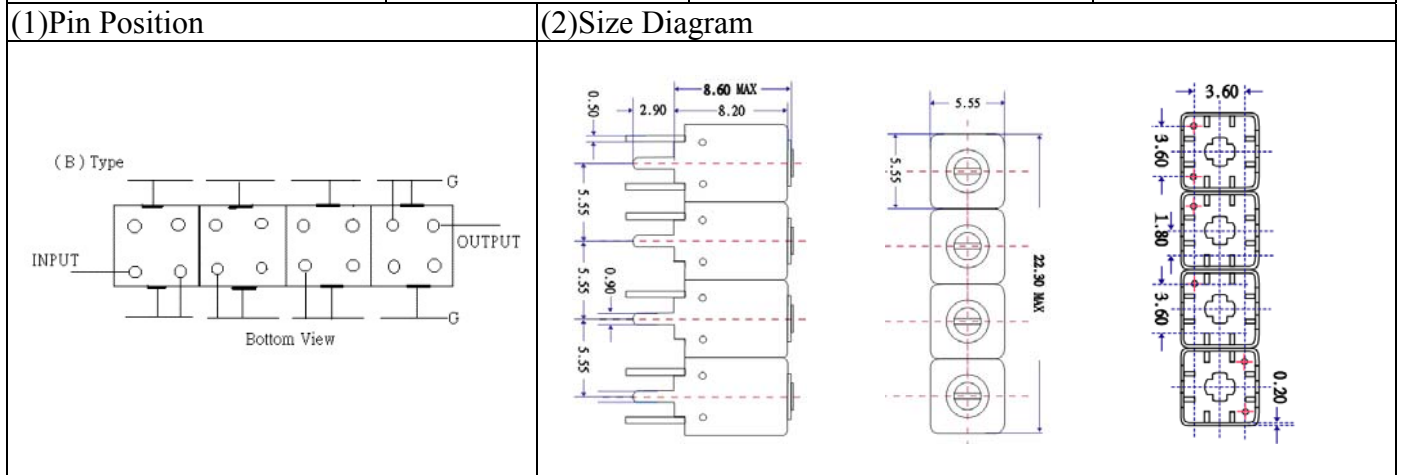


VHF UHF Helical Filter Specification Sheet

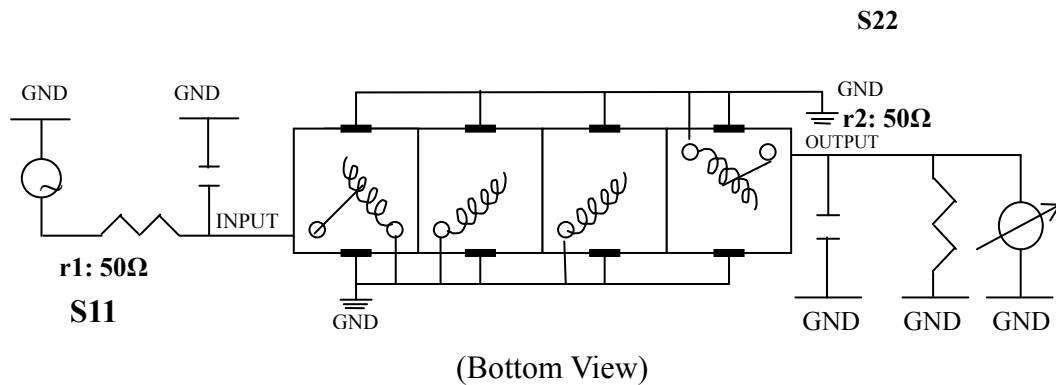
Customer Name		Temwell's Part No.	TFW41040B-2625M
Approval No. /dated	201708028CD	Temwell's Print name	41040B 2625M
Work Instruction No.	201708028CD	Date	Aug.16.2017



(3) Electric Characteristic

Item		Specify		Performance	
Center Freq.(Fo) +/- 0.5 %		2625	MHz	2625	MHz
Insertion Loss		Typ. 3.5	dB	2.42	dB
-3 dB Bandwidth		Typ. 130	MHz	148.1	MHz
Sensitivity (Attenuation)	Fo - 200 MHz	Typ. 40	dBc	45	dBc
	Fo + 200 MHz	Typ. 22	dBc	27	dBc
	Fo - ()MHz	Typ.	dBc		dBc
	Fo +()MHz	Typ.	dBc		dBc
Return Loss		Min. 12	dB	21.1	dB
Ripple		< 1	dB		dB
Impedance		In / Out : 50 Ω		In / Out : 50 Ω	
(4) Torque for Tuning Screw		> 60gf · cm			
(5) Temperature Condition:					
Operating Temperature		0°C ~ +60°C			
Storage Temperature		-20°C ~ +70°C			
(6) Input Power		> 0.5Watt			

(7) Measuring Circuit: ※Easy to match Impedance S11/S22 50Ω by parallel with about(- -).



Approval	Supervisor	Designer	Aperture size
C.Y.Chang	C.K.Chang	C.S.Chang	5W4S(3.8*5.1)(5.12) 5HW046RB3.2 (J1)

TEMWELL CORPORATION

Performance-TFW41040B-2625M

201708028CD

