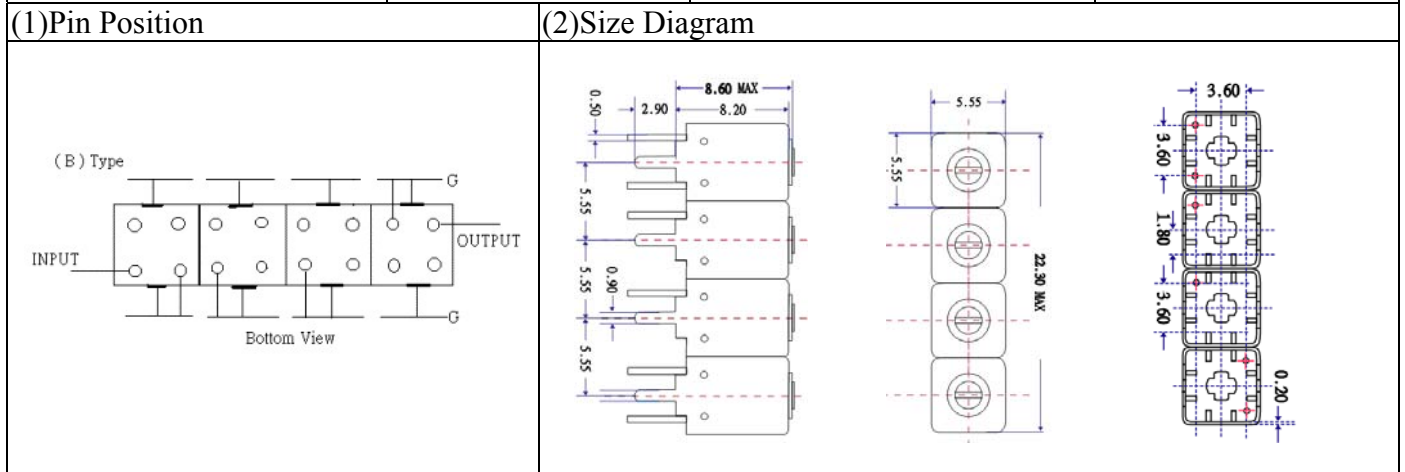


VHF UHF Helical Filter Specification Sheet

Customer Name		Temwell's Part No.	TFW41039B-2590M
Approval No. /dated	201708027CD	Temwell's Print name	41039B 2590M
Work Instruction No.	201708027CD	Date	Aug.17.2017



(3) Electric Characteristic

Item	Specify	Performance	
Center Freq.(Fo) +/- 0.5 %	2590 MHz	2590 MHz	
Insertion Loss	Typ. 3.5 dB	2.48 dB	
-3 dB Bandwidth	Typ. 130 MHz	141.3 MHz	
Sensitivity (Attenuation)	Fo - 200 MHz	Typ. 42 dBc	47 dBc
	Fo + 200 MHz	Typ. 27 dBc	32 dBc
	Fo - ()MHz	Typ. dBc	dBc
	Fo +()MHz	Typ. dBc	dBc
Return Loss	Min. 12 dB	30.4 dB	
Ripple	< 1 dB	dB	
Impedance	In / Out : 50 Ω	In / Out : 50 Ω	

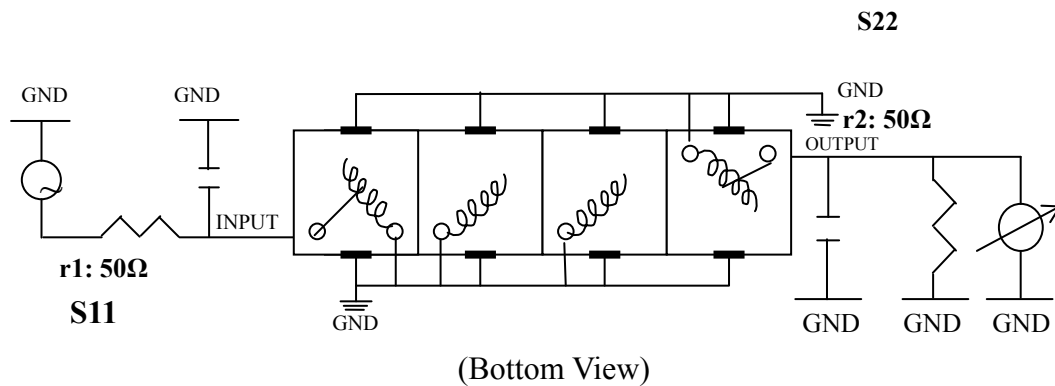
(4) Torque for Tuning Screw > 60gf · cm

(5) Temperature Condition:

Operating Temperature	0°C ~ +60°C
Storage Temperature	-20°C ~ +70°C

(6) Input Power > 0.5Watt

(7) Measuring Circuit: ※Easy to match Impedance S11/S22 50Ω by parallel with about(- -).



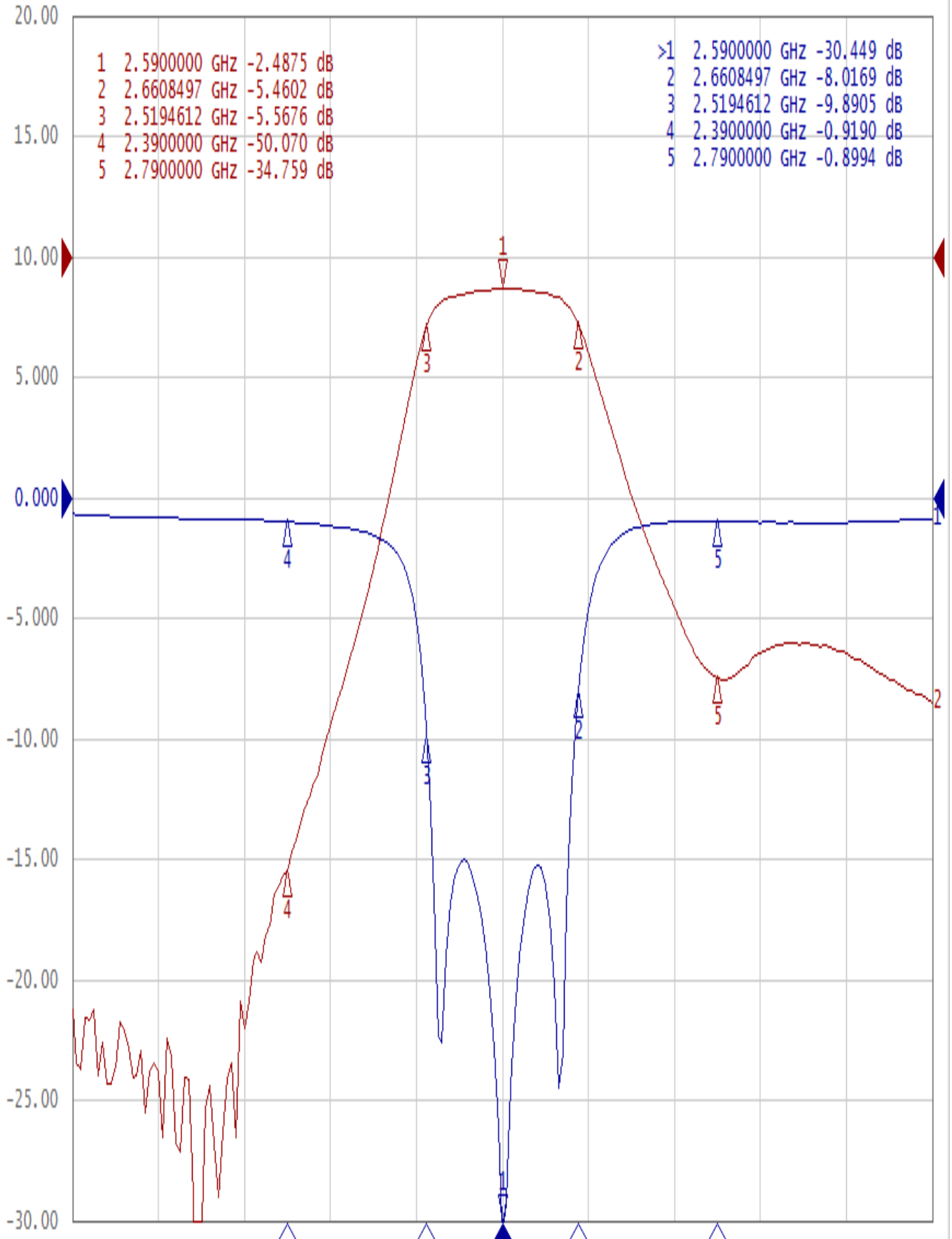
Approval	Supervisor	Designer	Aperture size
C.Y.Chang	C.K.Chang	C.S.Chang	5W4S(3.8*5.1)(5.12) 5HW046RB3.2(J1)

TEMWELL CORPORATION

Performance-TFW41039B-2590M

201708027CD

Tr1 S11 Log Mag 5.000dB/ Ref 0.000dB [F2]
Tr2 S21 Log Mag 10.00dB/ Ref 0.000dB [F2]



1 Center 2.59 GHz

IFBW 70 kHz

Span 800 MHz Cor !