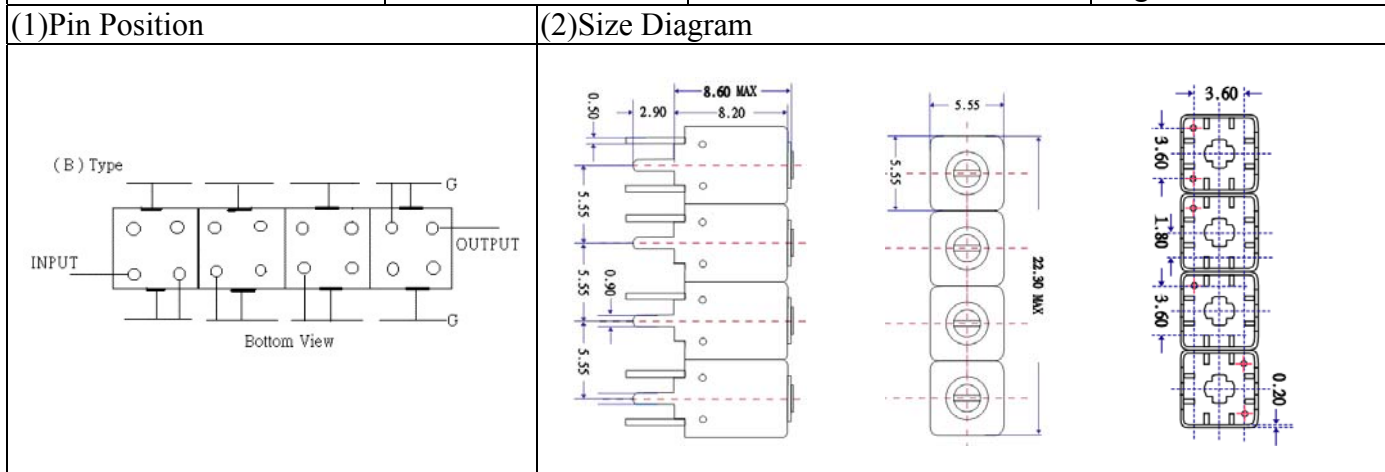


VHF UHF Helical Filter Specification Sheet

Customer Name		Temwell's Part No.	TFW41038B-1797.5M
Approval No. /dated	201708026CD	Temwell's Print name	41038B 1797.5M
Work Instruction No.	201708026CD	Date	Aug.15.2017



(3) Electric Characteristic

Item	Specify	Performance	
Center Freq.(Fo) +/- 0.5 %	1797.5 MHz	1797.5 MHz	
Insertion Loss	Typ. 4.0 dB	3.06 dB	
-3 dB Bandwidth	Typ. 70 MHz	75.7 MHz	
Sensitivity (Attenuation)	Fo - 200 MHz	Typ. 55 dBc	60 dBc
	Fo + 200 MHz	Typ. 53 dBc	63 dBc
	Fo - ()MHz	Typ. dBc	dBc
	Fo +()MHz	Typ. dBc	dBc
Return Loss	Min. 12 dB	19.0 dB	
Ripple	< 1 dB	dB	
Impedance	In / Out : 50 Ω	In / Out : 50 Ω	
(4) Torque for Tuning Screw	> 60gf · cm		

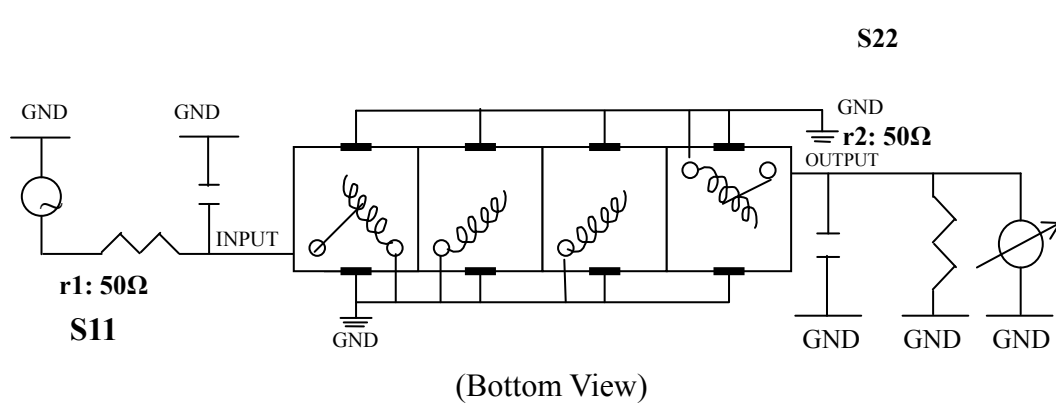
(5) Temperature Condition:

Operating Temperature	0°C ~ +60°C
Storage Temperature	-20°C ~ +70°C

(6) Input Power

	> 0.5Watt
--	-----------

(7) Measuring Circuit: ※Easy to match Impedance S11/S22 50Ω by parallel with about(- -).



Approval	Supervisor	Designer	Aperture size
C.Y.Chang	C.K.Chang	C.S.Chang	5W4S(3.8*4.5)(4.56) 5HW046RB3.2 (J1)

TEMWELL CORPORATION

Performance-TFW41038B-1797.5M

201708026CD

