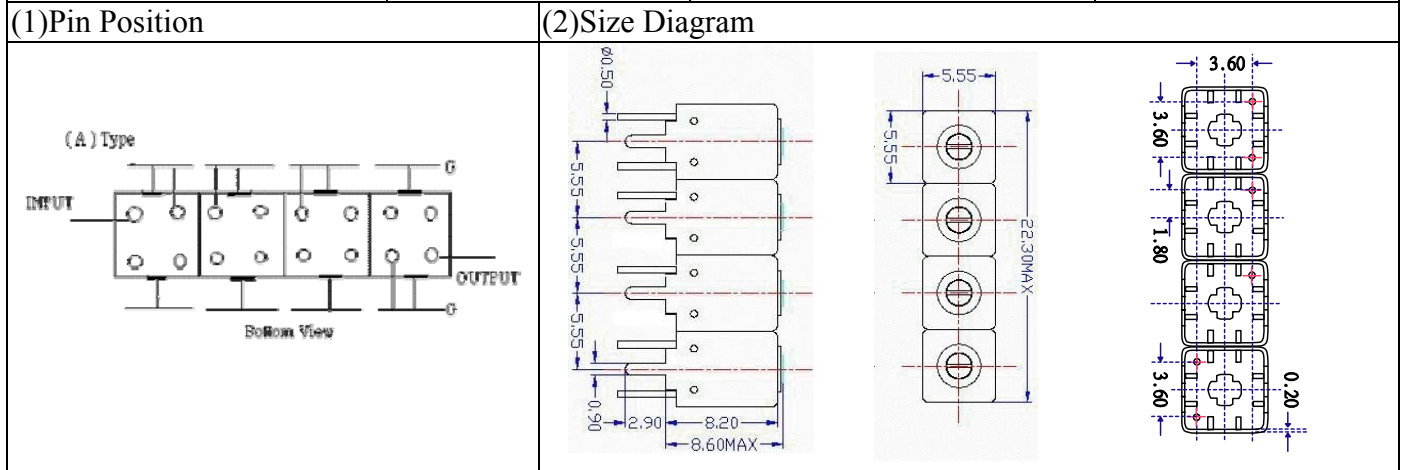


VHF UHF Helical Filter Specification Sheet

Customer Name		Temwell's Part No.	TFW41036A-1765M
Approval No. /dated	201708024CD	Temwell,s print Name	41036A 1765M
Work Instruction No.	201708024CD	Date	Aug.21.2017



(3)Electric Charasteric

Item	Specify	Performance
Center Freq.(Fo) +/- 0.5 %	1765 MHz	1765 MHz
Insertion Loss	Typ. 4.0 dB	3.11 dB
-3 dB Bandwidth	Typ. 65 MHz	73.6 MHz
Sensitivity (Attenuation)	Fo - 100 MHz	Typ. 42 dBc
	Fo + 100 MHz	Typ. 29 dBc
	Fo - ()MHz	Typ. dBc
	Fo +()MHz	Typ. dBc
Return Loss	Min. 12 dB	21.3 dB
Ripple	< 1 dB	
Impedance	In / Out : 50 Ω	In / Out : 50 Ω

(4)Torque for Tuning Screw > 60gf · cm

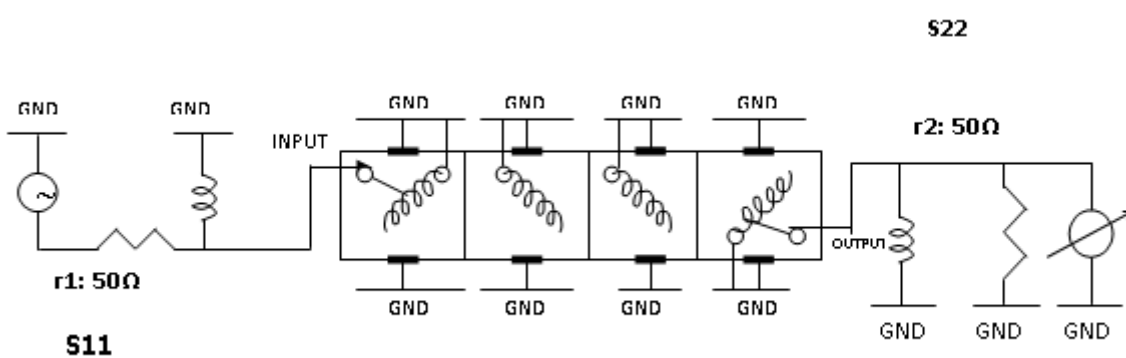
(5)Temperature Condition:

Operating Temperature 0°C ~ +60°C

Storage Temperature -20°C ~ +70°C

(6)Input Power > 0.5Watt

(7) Measuring Circuit: ※Easy to match Impedance S11/S22 50Ω/50Ω by parallel with about(- -).



(Bottom View)

Approval	Supervisor	Designer	Aperture size
C.Y.Chang	C.K.Chang	C.H.Yeh	5W4S(3.8*4.0)(4.15) 5HW046LB3.2(J1)

TEMWELL CORPORATION

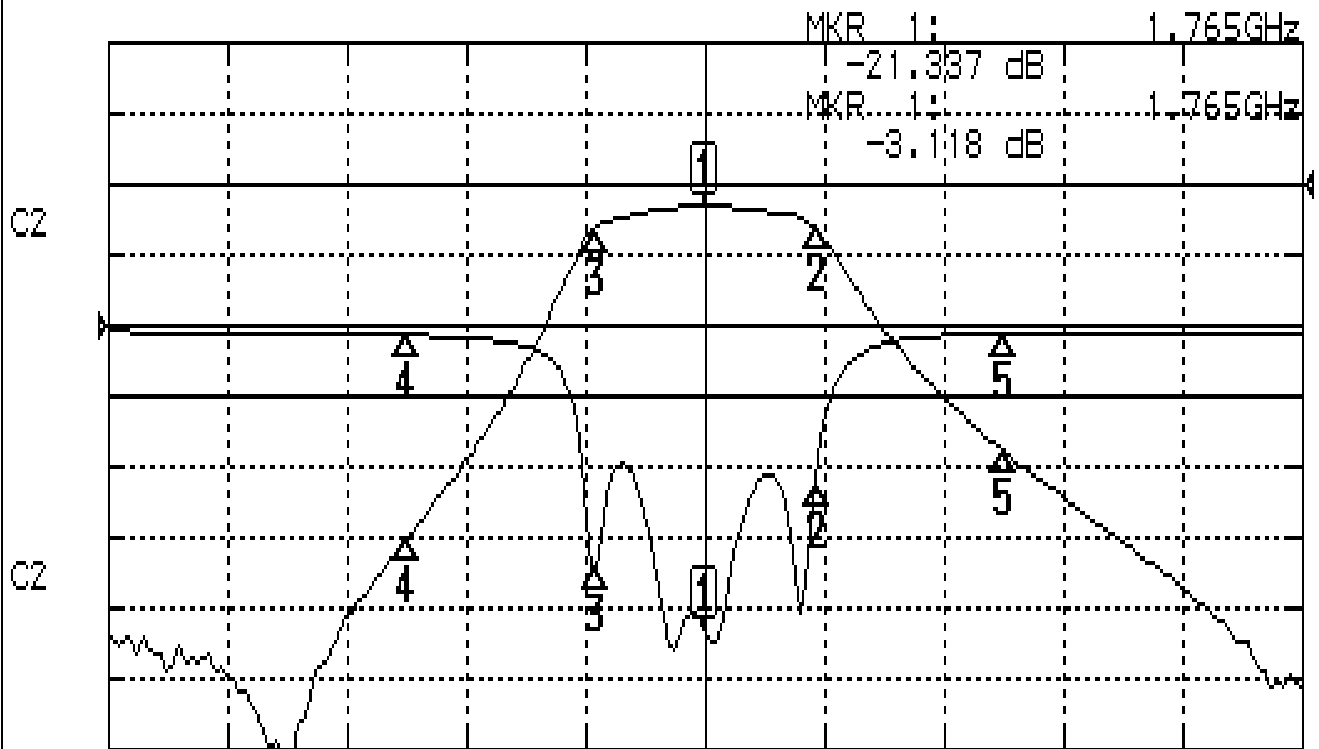
TEMWELL

Form10-5H4A Vision D(C.H.Y)

Performance-TFW41036A-1765M

201708024CD

CH1 S11 LOG MAG REF 0.000 dB 5.000 dB/
CH2 S21 LOG MAG REF 0.000 dB 10.000 dB/



CENTER 1.765GHz

[10.00 dBm]

SPAN 400MHz

CH1 MARKER LIST

Marker	Frequency (GHz)	Magnitude (dB)
1	1.765 000	-21.338
2	1.802 000	-11.231
3	1.728 333	-17.372
4	1.665 000	-0.677
5	1.865 000	-0.588

CH2 MARKER LIST

Marker	Frequency (GHz)	Magnitude (dB)
1	1.765 000	-3.118
2	1.802 000	-16.136
3	1.728 333	-16.108
4	1.665 000	-0.814
5	1.865 000	-37.780