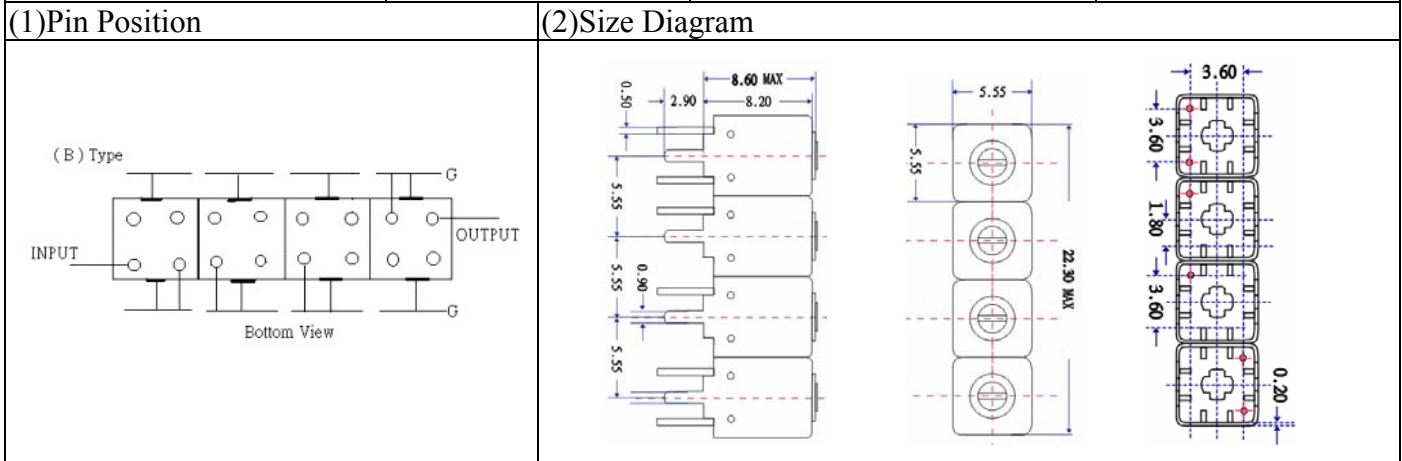


VHF UHF Helical Filter Specification Sheet

Customer Name		Temwell's Part No.	TFW41032B-1592.75M
Approval No. /dated		Temwell's Print name	41032B 1592.75M
Work Instruction No.	201609030CD	Date	Oct.05.2016



(3) Electric Characteristic

Item	Specify	Performance
Center Freq.(Fo) +/- 0.5 %	1592.75 MHz	1592.75 MHz
Insertion Loss	Typ. 5.0 dB	4.19 dB
-3 dB Bandwidth	Typ. 35 MHz	50.6 MHz
Sensitivity (Attenuation)	Fo - 100 MHz	Typ. 53 dBc
	Fo + 100 MHz	Typ. 37 dBc
	Fo - ()MHz	Typ. dBc
	Fo +()MHz	Typ. dBc
Return Loss	Min. 12 dB	19.3 dB
Ripple	< 1 dB	
Impedance	In / Out : 50 Ω	In / Out : 50 Ω

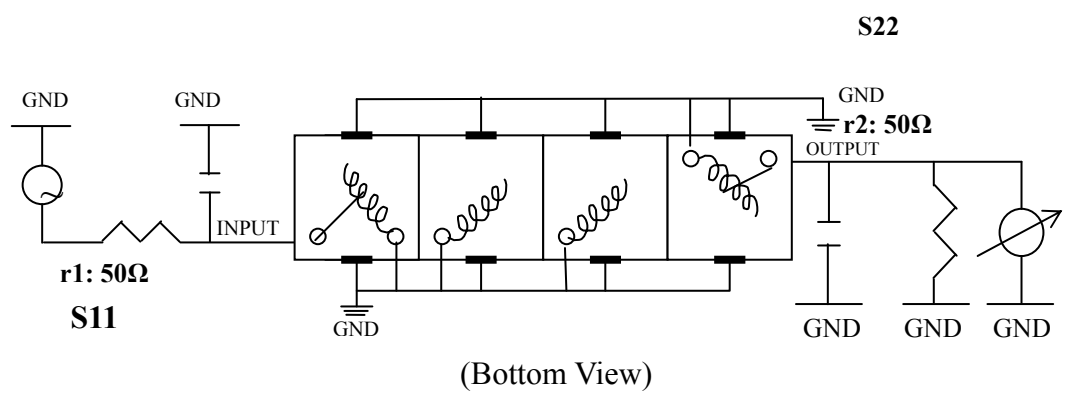
(4) Torque for Tuning Screw > 60gf • cm

(5) Temperature Condition:

Operating Temperature	0°C ~ +60°C
Storage Temperature	-20°C ~ +70°C

(6) Input Power > 0.5Watt

(7) Measuring Circuit: ※Easy to match Impedance S11/S22 50Ω by parallel with about(- -).



Approval C.Y.Chang	Supervisor C.K.Chang	Designer C.S.Chang	Aperture size 5W4S(3.8*4.0)(4.02) 5HW024RB3
-----------------------	-------------------------	-----------------------	---

TEMWELL CORPORATION

Performance-TFW41032B-1592.75M

201609030CD

Tr1 S11 Log Mag 5.000dB/ Ref 0.000dB [F2]
Tr2 S21 Log Mag 10.00dB/ Ref 0.000dB [F2]

