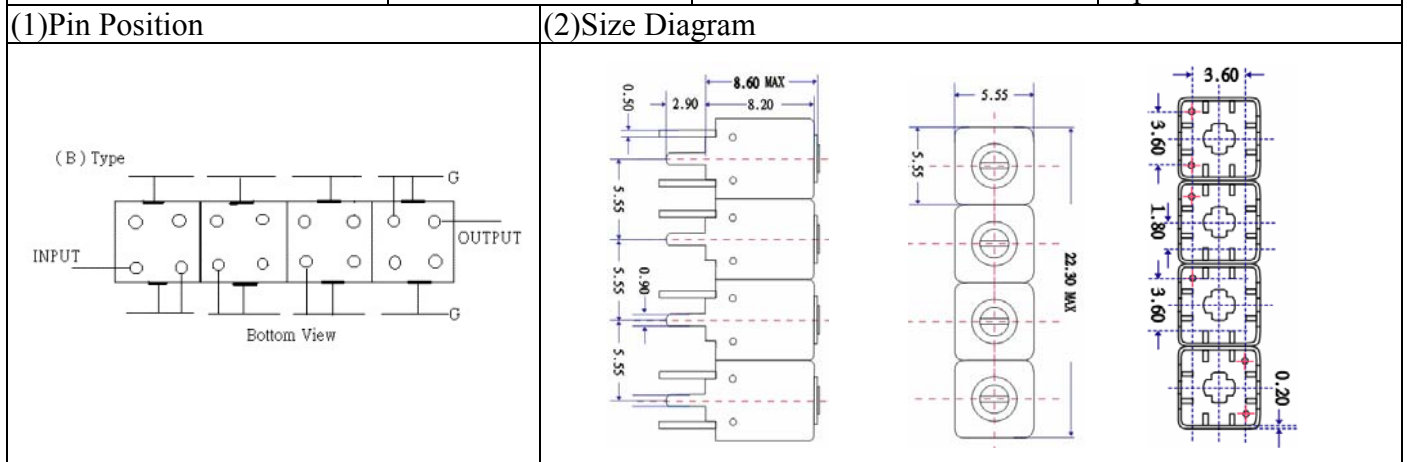


# VHF UHF Helical Filter Specification Sheet

Customer Name		Temwell's Part No.	TFW41023B-2190M
Approval No. /dated		Temwell's Print name	41023B 2190M
Work Instruction No.	201608082CD	Date	Sep.13.2016



### (3)Electric Characteristic

Item	Specify	Performance
Center Freq.(Fo) +/- 0.5 %	2190 MHz	2190 MHz
Insertion Loss	Typ. 3.5 dB	2.77 dB
-3 dB Bandwidth	Typ. 86 MHz	104.5 MHz
Sensitivity (Attenuation)	Fo - 100 MHz	Typ. 28 dBc
	Fo + 100 MHz	Typ. 16 dBc
	Fo - ( )MHz	Typ. dBc
	Fo +( )MHz	Typ. dBc
Return Loss	Min. 12 dB	22.9 dB
Ripple	< 1 dB	dB
Impedance	In / Out : 50 Ω	In / Out : 50 Ω

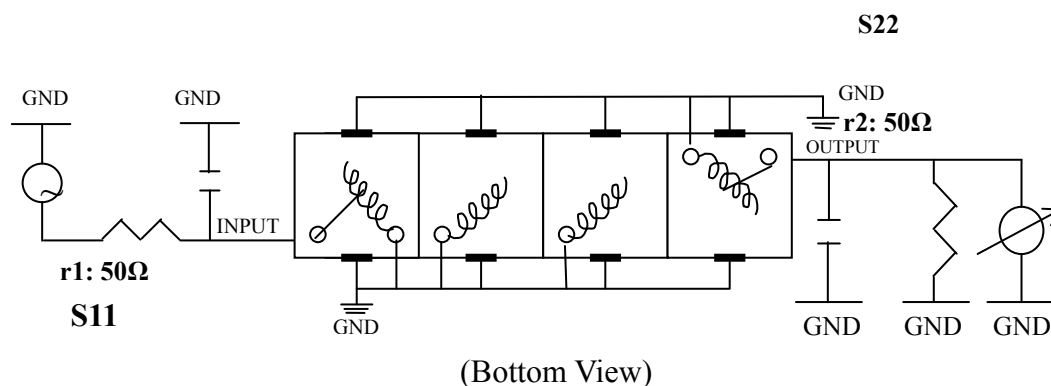
(4)Torque for Tuning Screw > 60gf · cm

(5)Temperature Condition:

Operating Temperature	0°C ~ +60°C
Storage Temperature	-20°C ~ +70°C

(6)Input Power > 0.5Watt

(7)Measuring Circuit: ※Easy to match Impedance S11/S22 50Ω by parallel with about(- -).



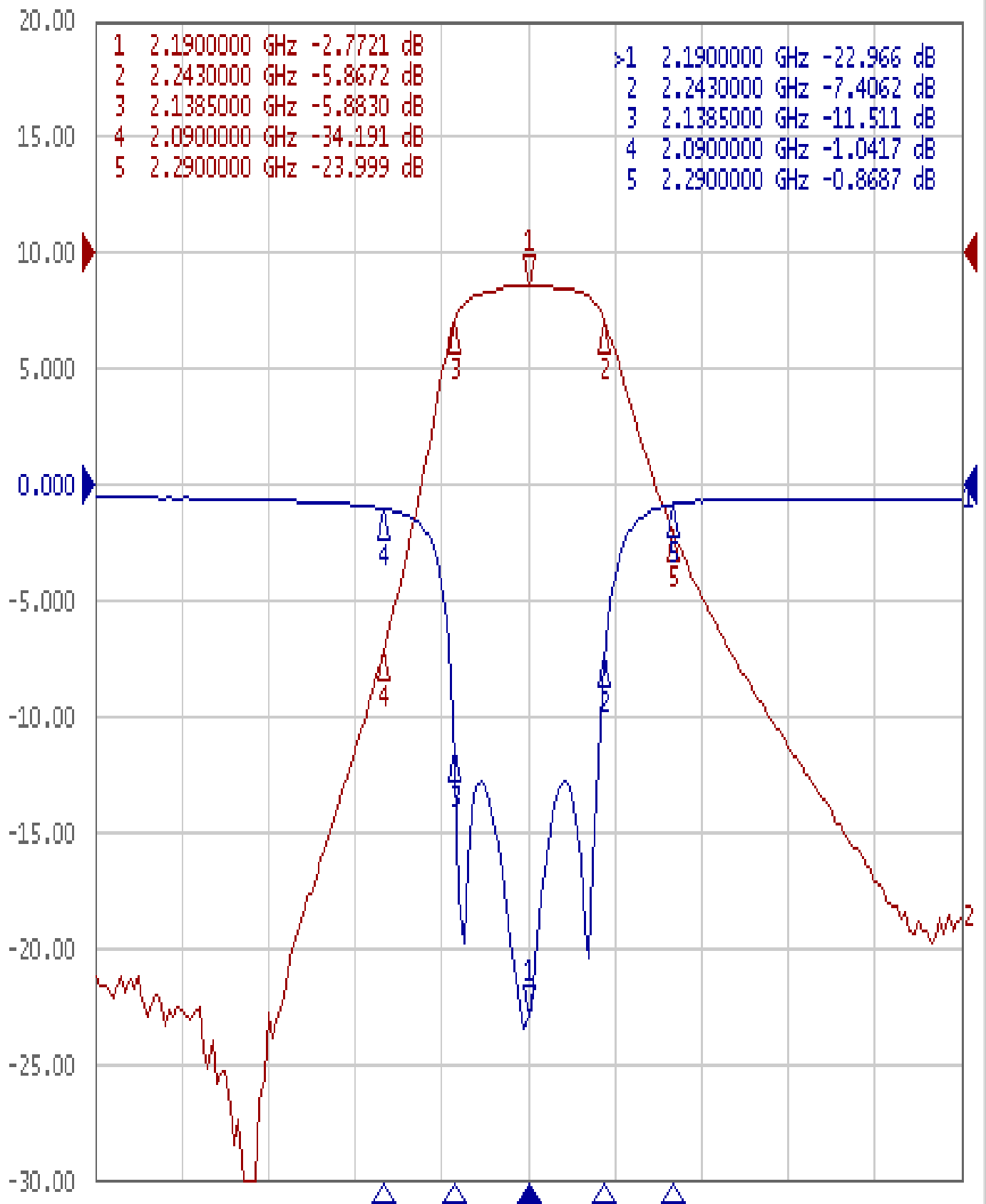
Approval C.Y.Chang	Supervisor C.K.Chang	Designer W.W.Wang	Aperture size 5W4S(3.8*5.1)(5.15)J1 5HW046RB3.2
-----------------------	-------------------------	----------------------	---

TEMWELL CORPORATION

# Performance-TFW41023B-2190M

## 201608082CD

Tr1 S11 Log Mag 5.000dB/ Ref 0.000dB [F2]  
Tr2 S21 Log Mag 10.00dB/ Ref 0.000dB [F2]



1 Center 2.19 GHz

IFBW 70 kHz

Span 600 MHz Cor !