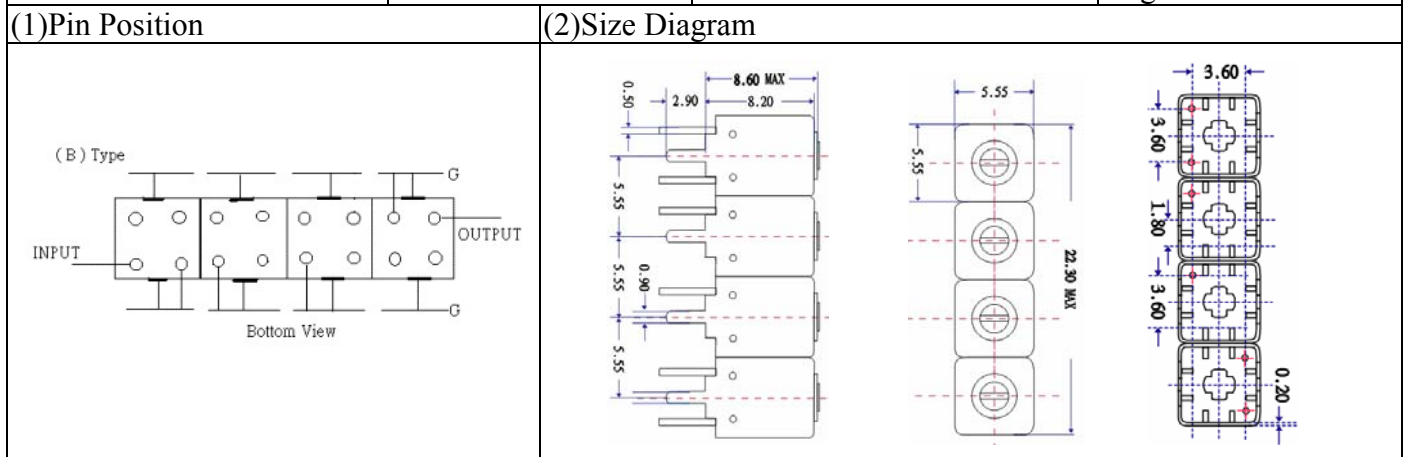


VHF UHF Helical Filter Specification Sheet

Customer Name		Temwell's Part No.	TFW41019B-2655M
Approval No. /dated		Temwell's Print name	41019B 2655M
Work Instruction No.	201608070CD	Date	Aug.29.2016



(3) Electric Characteristic

Item	Specify	Performance
Center Freq.(Fo) +/- 0.5 %	2655 MHz	2655 MHz
Insertion Loss	Typ. 3.5 dB	2.26 dB
-3 dB Bandwidth	Typ. 153 MHz	171.5 MHz
Sensitivity (Attenuation)	Fo - 200 MHz	Typ. 35 dBc
	Fo + 200 MHz	Typ. 20 dBc
	Fo - ()MHz	Typ. dBc
	Fo +()MHz	Typ. dBc
Return Loss	Min. 12 dB	30.0 dB
Ripple	< 1 dB	dB
Impedance	In / Out : 50 Ω	In / Out : 50 Ω

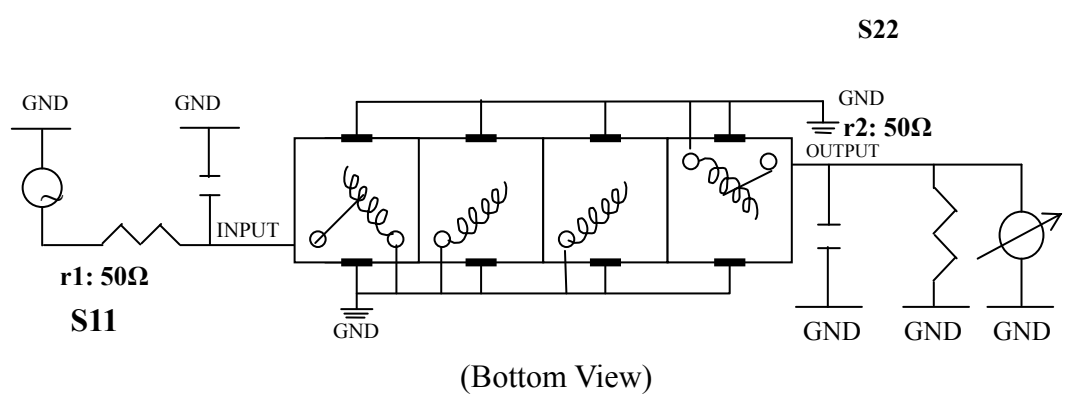
(4) Torque for Tuning Screw > 60gf • cm

(5) Temperature Condition:

Operating Temperature	0°C ~ +60°C
Storage Temperature	-20°C ~ +70°C

(6) Input Power > 0.5Watt

(7) Measuring Circuit: ※Easy to match Impedance S11/S22 50Ω by parallel with about(- -).

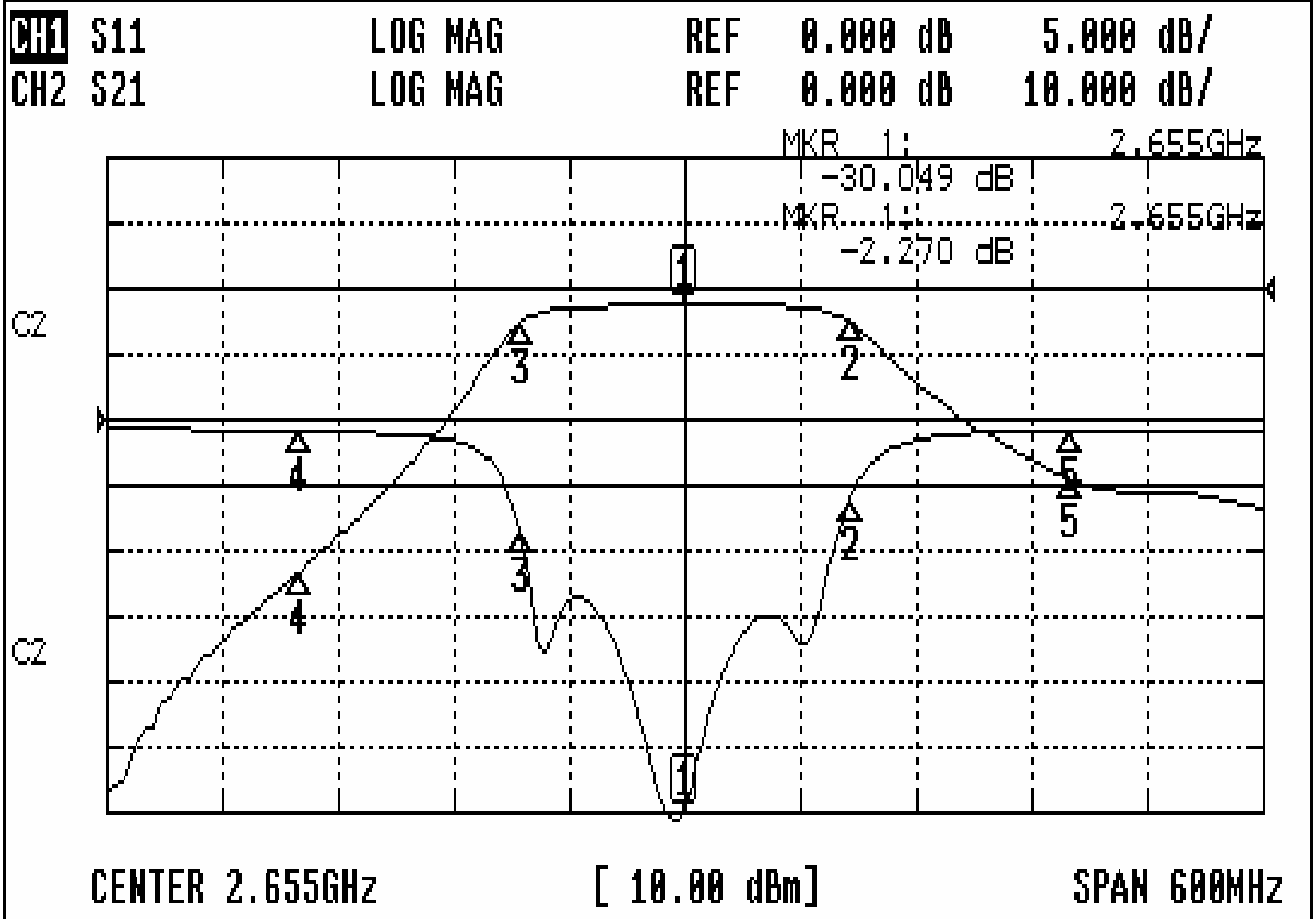


Approval	Supervisor	Designer	Aperture size
C.Y.Chang	C.K.Chang	M.Y.Kang	5W4S(3.8*5.1)(5.15) 5HW046RB3.2 (J1)

TEMWELL CORPORATION

Performance-TFW41019B-2655M

201608070CD



CH1 MARKER LIST

1:	2.655 000GHz	-30.049 dB
2:	2.741 000GHz	-6.090 dB
3:	2.569 500GHz	-8.658 dB
4:	2.455 000GHz	-0.860 dB
5:	2.855 000GHz	-0.801 dB

CH2 MARKER LIST

1:	2.655 000GHz	-2.268 dB
2:	2.741 000GHz	-11.241 dB
3:	2.569 500GHz	-11.215 dB
4:	2.455 000GHz	-43.223 dB
5:	2.855 000GHz	-29.049 dB