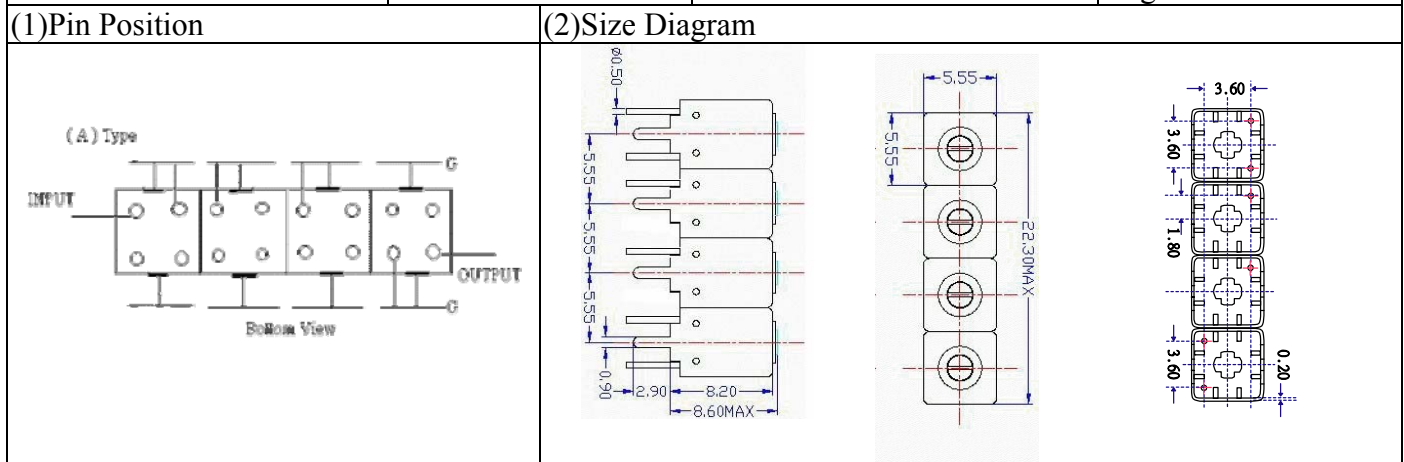


# VHF UHF Helical Filter Specification Sheet

Customer Name		Temwell's Part No.	TFW41012A-1900M
Approval No. /dated		Temwell's Print name	41012A 1900M
Work Instruction No.	201608061CD	Date	Aug.25.2016



**(3) Electric Characteristic**

Item	Specify	Performance
Center Freq.(Fo) +/- 0.5 %	1900 MHz	1900 MHz
Insertion Loss	Typ. 4.5 dB	3.35 dB
-3 dB Bandwidth	Typ. 59 MHz	71.5 MHz
Sensitivity (Attenuation)	Fo - 100 MHz	Typ. 37 dBc
	Fo + 100 MHz	Typ. 28 dBc
	Fo - ( )MHz	Typ. dBc
	Fo +( )MHz	Typ. dBc
Return Loss	Min. 12 dB	31.4 dB
Ripple	< 1 dB	
Impedance	In / Out : 50 Ω	In / Out : 50 Ω

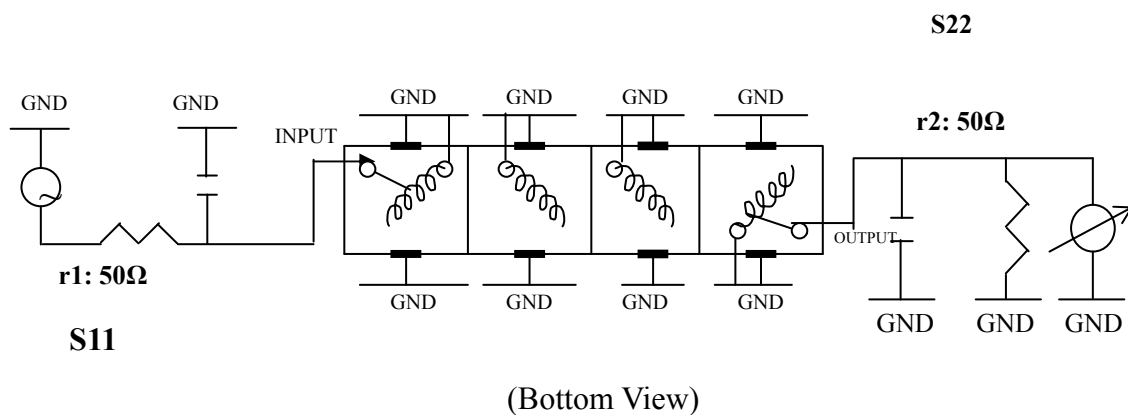
(4) Torque for Tuning Screw > 60gf · cm

(5) Temperature Condition:

Operating Temperature	0°C ~ +60°C
Storage Temperature	-20°C ~ +70°C

(6) Input Power > 0.5Watt

(7) Measuring Circuit: ※Easy to match Impedance S11/S22 50Ω by parallel with about(- -).



Approval C.Y.Chang	Supervisor C.K.Chang	Designer M.Y.Kang	Aperture size 5W4S(3.8*3.5)(3.57) 5HW046LB3.2 (J1)
-----------------------	-------------------------	----------------------	--

TEMWELL CORPORATION

# Performance-TFW41012A-1900M

## 201608061CD

CH1 S11

LOG MAG

REF 0.000 dB

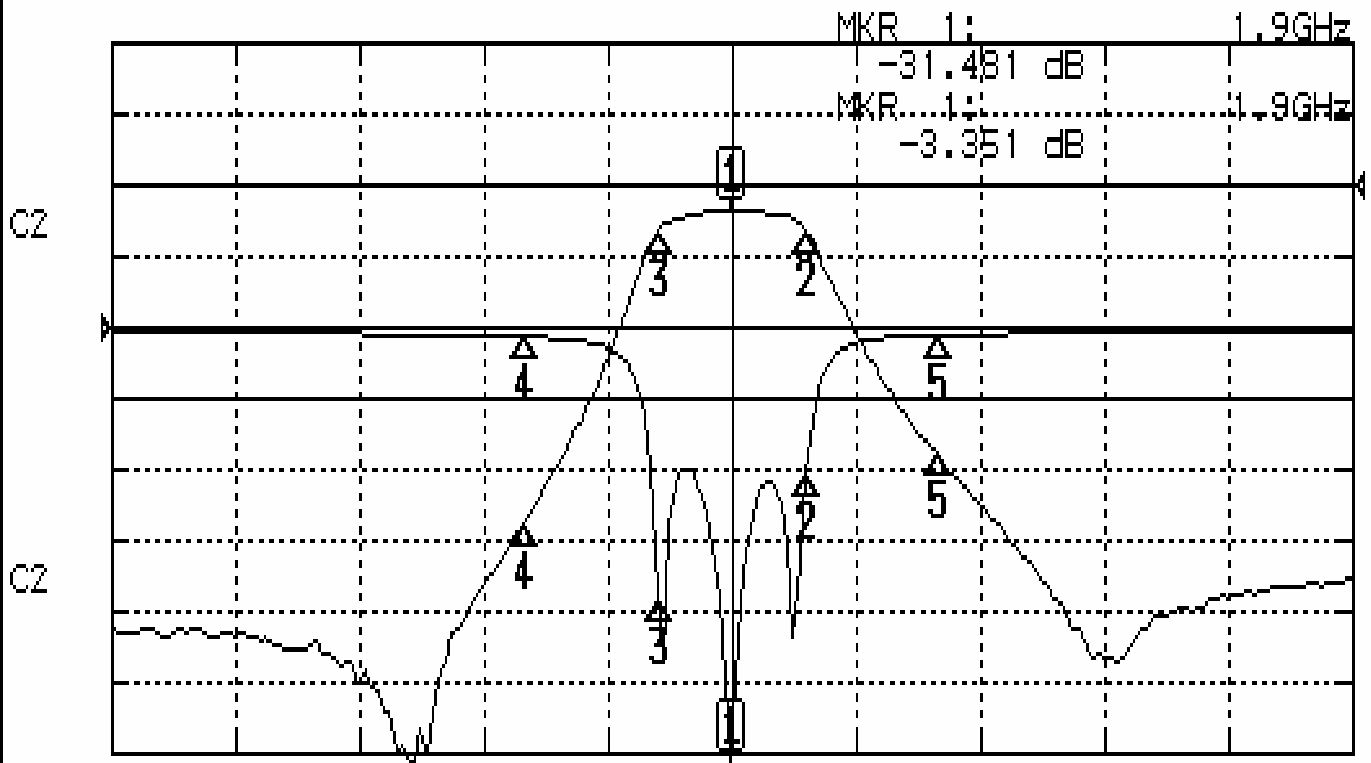
5.000 dB/

CH2 S21

LOG MAG

REF 0.000 dB

10.000 dB/



CENTER 1.9GHz

[ 10.00 dBm ]

SPAN 600MHz

### CH1 MARKER LIST

Marker	Frequency (GHz)	Magnitude (dB)
1:	1.900 000	-31.481
2:	1.936 000	-10.232
3:	1.864 500	-19.324
4:	1.800 000	-0.636
5:	2.000 000	-0.500

### CH2 MARKER LIST

Marker	Frequency (GHz)	Magnitude (dB)
1:	1.900 000	-3.351
2:	1.936 000	-6.344
3:	1.864 500	-6.360
4:	1.800 000	-47.285
5:	2.000 000	-38.152