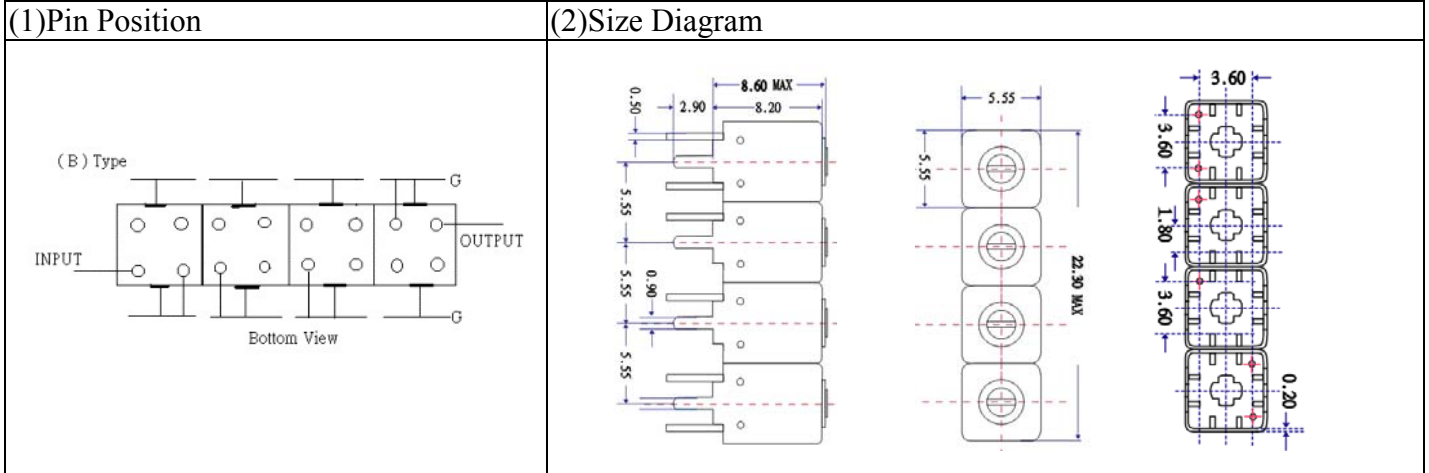


VHF UHF Helical Filter Specification Sheet

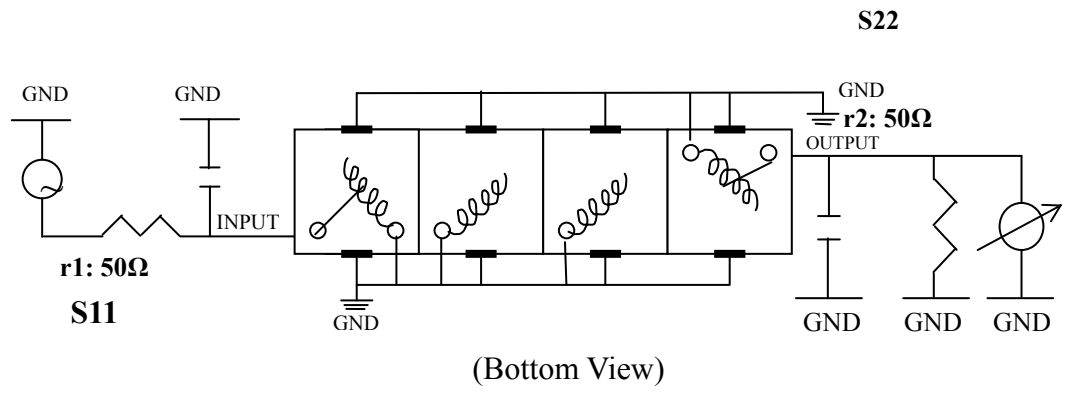
Customer Name		Temwell's Part No.	TFW41011B-2595M
Approval No. /dated		Temwell's Print name	41011B 2595M
Work Instruction No.	201608060CD	Date	Aug.29.2016



(3) Electric Chararistic

Item	Specify	Performance
Center Freq.(Fo) +/- 0.5 %	2595 MHz	2595 MHz
Insertion Loss	Typ. 3.0 dB	1.92 dB
-3 dB Bandwidth	Typ. 192 MHz	206.2 MHz
Sensitivity (Attenuation)	Fo - 200 MHz	Typ. 31 dBc
	Fo + 200 MHz	Typ. 17 dBc
	Fo - ()MHz	Typ. dBc
	Fo +()MHz	Typ. dBc
Return Loss	Min. 12 dB	19.8 dB
Ripple	< 1 dB	dB
Impedance	In / Out : 50 Ω	In / Out : 50 Ω
(4) Torque for Tuning Screw	> 60gf • cm	
(5) Temperature Condition:		
Operating Temperature	0°C ~ +60°C	
Storage Temperature	-20°C ~ +70°C	
(6) Input Power	> 0.5Watt	

(7) Measuring Circuit: ※Easy to match Impedance S11/S22 50Ω by parallel with about(- -).

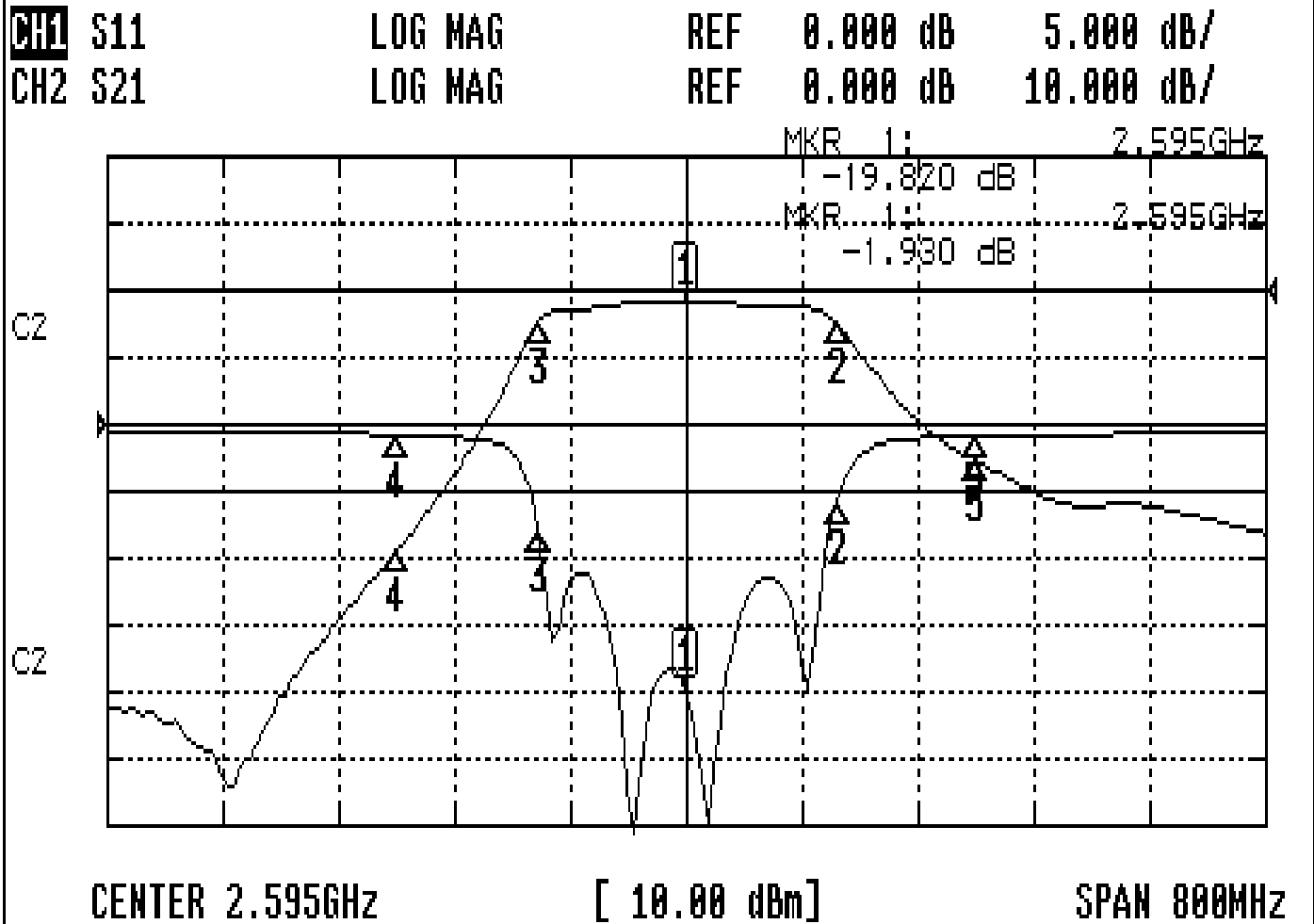


Approval	Supervisor	Designer	Aperture size
C.Y.Chang	C.K.Chang	M.Y.Kang	5W4S(3.8*5.1)(5.16) 5HW046RB3.2 (J1)

TEMWELL CORPORATION

Performance-TFW41011B-2595M

201608060CD



CH1 MARKER LIST

1:	2.595	000GHz	-19.820	dB
2:	2.699	000GHz	-5.897	dB
3:	2.492	800GHz	-7.832	dB
4:	2.395	000GHz	-0.799	dB
5:	2.795	000GHz	-0.883	dB

CH2 MARKER LIST

1:	2.595	000GHz	-1.929	dB
2:	2.699	000GHz	-4.960	dB
3:	2.492	800GHz	-4.985	dB
4:	2.395	000GHz	-39.051	dB
5:	2.795	000GHz	-25.833	dB