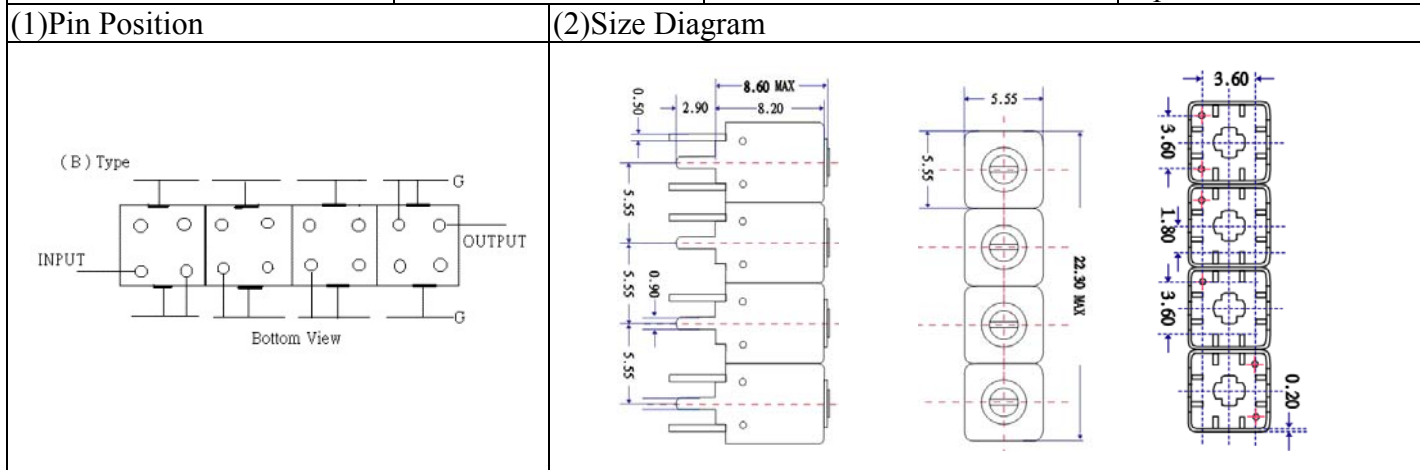


VHF UHF Helical Filter Specification Sheet

| | | | |
|----------------------|-------------|----------------------|-----------------|
| Customer Name | | Temwell's Part No. | TFW41008B-2595M |
| Approval No. /dated | | Temwell's Print name | 41008B 2595M |
| Work Instruction No. | 201609008CD | Date | Sep.09.2016 |



(3) Electric Characteristic

| Item | Specify | Performance | |
|------------------------------|-----------------|-----------------|--------|
| Center Freq.(Fo) +/- 0.5 % | 2595 MHz | 2595 MHz | |
| Insertion Loss | Typ. 3.0 dB | 2.09 dB | |
| -3 dB Bandwidth | Typ. 153 MHz | 175.0 MHz | |
| Sensitivity (Attenuation) | Fo - 200 MHz | Typ. 34 dBc | 40 dBc |
| | Fo + 200 MHz | Typ. 20 dBc | 26 dBc |
| | Fo - ()MHz | Typ. dBc | dBc |
| | Fo + ()MHz | Typ. dBc | dBc |
| Return Loss | Min. 12 dB | 22.7 dB | |
| Ripple | < 1 dB | dB | |
| Impedance | In / Out : 50 Ω | In / Out : 50 Ω | |

(4) Torque for Tuning Screw

> 60gf • cm

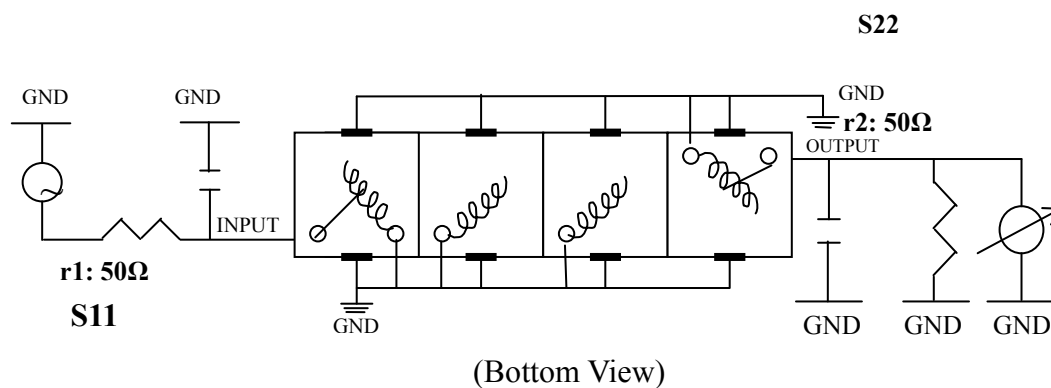
(5) Temperature Condition:

| | |
|-----------------------|---------------|
| Operating Temperature | 0°C ~ +60°C |
| Storage Temperature | -20°C ~ +70°C |

(6) Input Power

> 0.5Watt

(7) Measuring Circuit: ※Easy to match Impedance S11/S22 50Ω by parallel with about(- -).



| | | | |
|-----------|------------|----------|---|
| Approval | Supervisor | Designer | Aperture size |
| C.Y.Chang | C.K.Chang | M.Y.Kang | 5W4S(3.8*5.1)(5.15) 5HW046RB3.2 (J1) |

TEMWELL CORPORATION

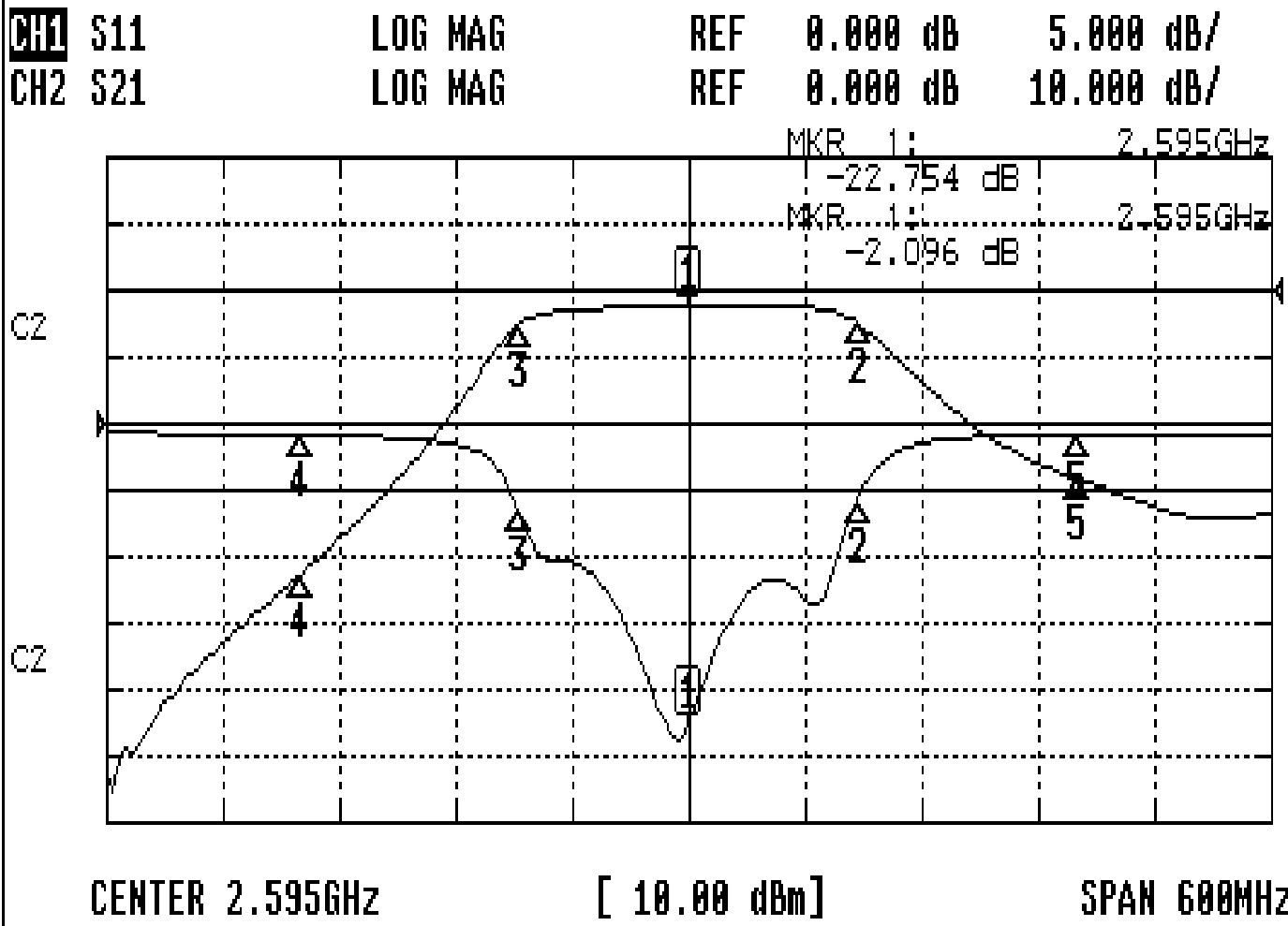
TEMWELL

Form10-5H4B Vision D

RP (M.Y)

Performance-TFW41008B-2595M

201609008CD



CH1 MARKER LIST

| Marker | Freq (GHz) | Magnitude (dB) |
|--------|--------------|----------------|
| 1: | 2.595 000GHz | -22.754 dB |
| 2: | 2.682 500GHz | -5.589 dB |
| 3: | 2.507 500GHz | -6.491 dB |
| 4: | 2.395 000GHz | -0.850 dB |
| 5: | 2.795 000GHz | -0.864 dB |
| 6: | | |
| 7: | | |
| 8: | | |
| 9: | | |
| 10: | | |

CH2 MARKER LIST

| Marker | Freq (GHz) | Magnitude (dB) |
|--------|--------------|----------------|
| 1: | 2.595 000GHz | -2.096 dB |
| 2: | 2.682 500GHz | -5.069 dB |
| 3: | 2.507 500GHz | -5.091 dB |
| 4: | 2.395 000GHz | -42.666 dB |
| 5: | 2.795 000GHz | -28.299 dB |
| 6: | | |
| 7: | | |
| 8: | | |
| 9: | | |
| 10: | | |