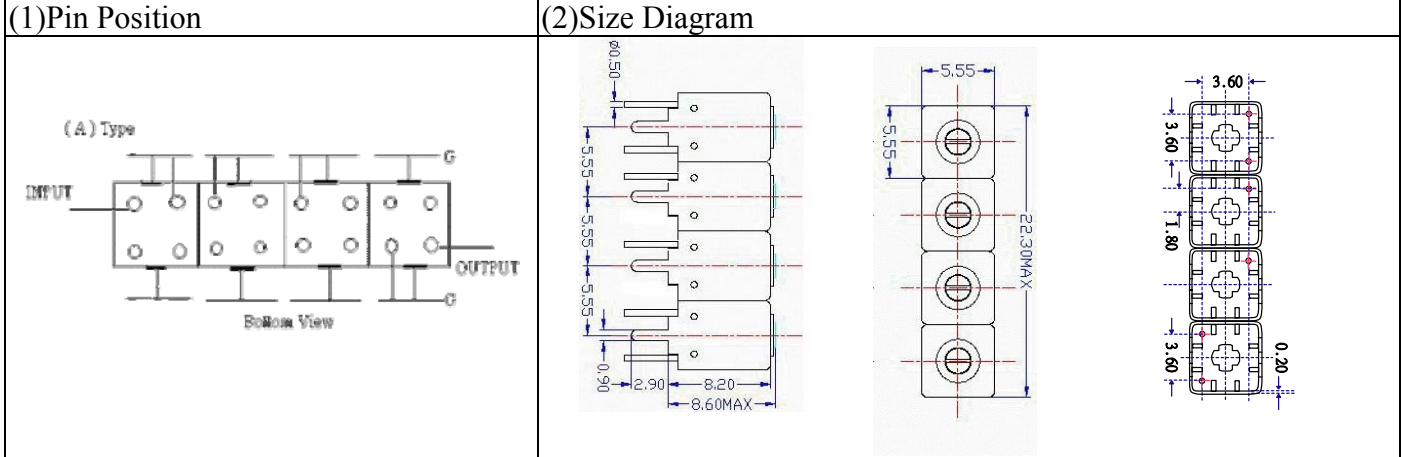


VHF UHF Helical Filter Specification Sheet

Customer Name		Temwell's Part No.	TFW41006A-1910M
Approval No. /dated		Temwell's Print name	41006A 1910M
Work Instruction No.	201608039CD	Date	Aug.19.2016



(3) Electric Characteristic

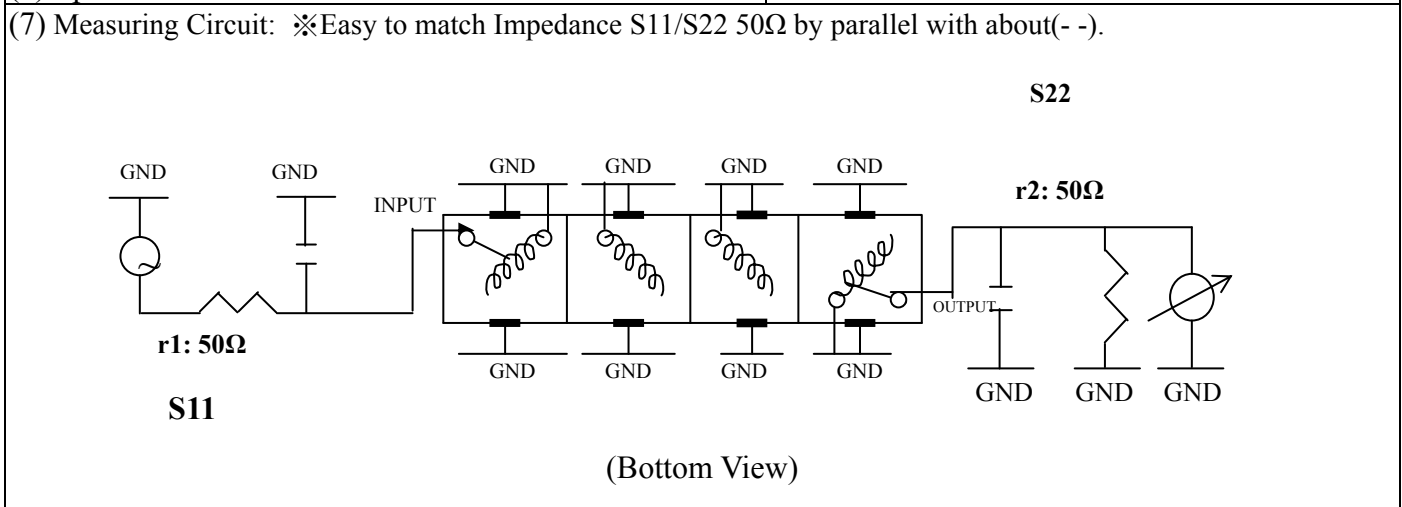
Item	Specify	Performance
Center Freq.(Fo) +/- 0.5 %	1910 MHz	1910 MHz
Insertion Loss	Typ. 4.5 dB	3.34 dB
-3 dB Bandwidth	Typ. 59 MHz	69.0 MHz
Sensitivity (Attenuation)	Fo - 100 MHz	Typ. 38 dBc
	Fo + 100 MHz	Typ. 28 dBc
	Fo - ()MHz	Typ. dBc
	Fo +()MHz	Typ. dBc
Return Loss	Min. 12 dB	32.4 dB
Ripple	< 1 dB	
Impedance	In / Out : 50 Ω	In / Out : 50 Ω

(4) Torque for Tuning Screw > 60gf · cm

(5) Temperature Condition:

Operating Temperature	0°C ~ +60°C
Storage Temperature	-20°C ~ +70°C

(6) Input Power > 0.5Watt



Approval C.Y.Chang	Supervisor C.K.Chang	Designer M.Y.Kang	Aperture size 5W4S(3.8*3.5)(3.57) 5HW046LB3.2 (J1)
-----------------------	-------------------------	----------------------	--

Performance-TFW41006A-1910M

201608039CD

CH1 S11

LOG MAG

REF 0.000 dB

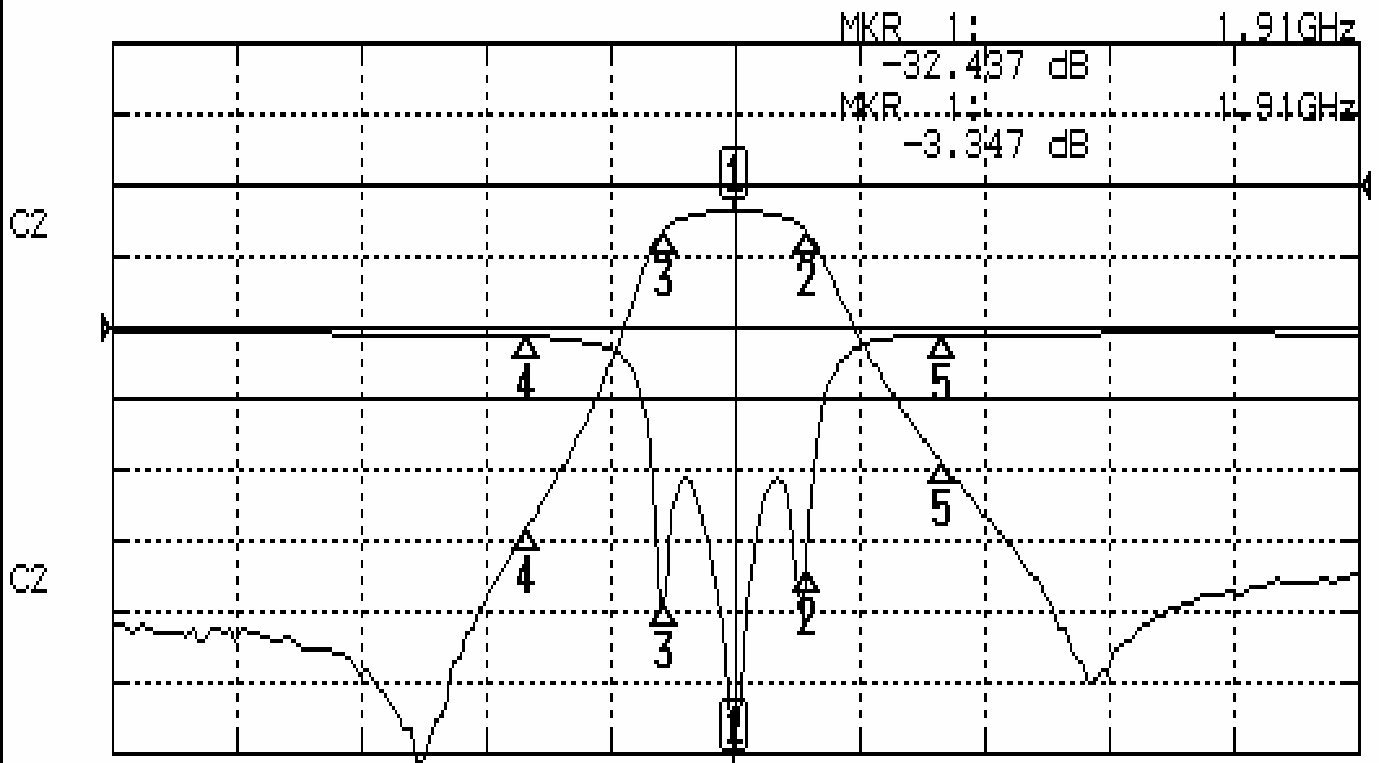
5.000 dB/

CH2 S21

LOG MAG

REF 0.000 dB

10.000 dB/



CENTER 1.91GHz

[10.00 dBm]

SPAN 600MHz

CH1 MARKER LIST

Marker	Freq (GHz)	Mag (dB)
1:	1.910 000GHz	-32.437 dB
2:	1.944 500GHz	-16.990 dB
3:	1.875 500GHz	-19.235 dB
4:	1.810 000GHz	-0.600 dB
5:	2.010 000GHz	-0.547 dB
6:		
7:		
8:		
9:		
10:		

CH2 MARKER LIST

Marker	Freq (GHz)	Mag (dB)
1:	1.910 000GHz	-3.347 dB
2:	1.944 500GHz	-16.334 dB
3:	1.875 500GHz	-16.354 dB
4:	1.810 000GHz	-48.337 dB
5:	2.010 000GHz	-39.073 dB
6:		
7:		
8:		
9:		
10:		