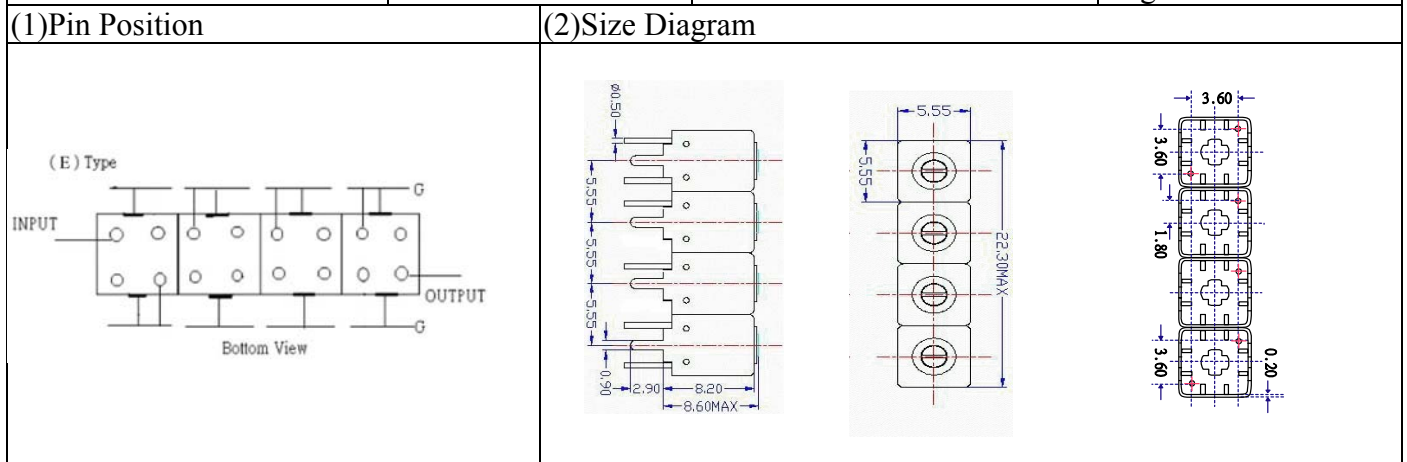


VHF UHF Helical Filter Specification Sheet

Customer Name		Temwell's Part No.	TFW41003E-2010M
Approval No. /dated	201608030CD	Temwell,s print Name	41003E 2010M
Work Instruction No.	201608030CD	Date	Aug.11.2016



(3) Electric Characteristic

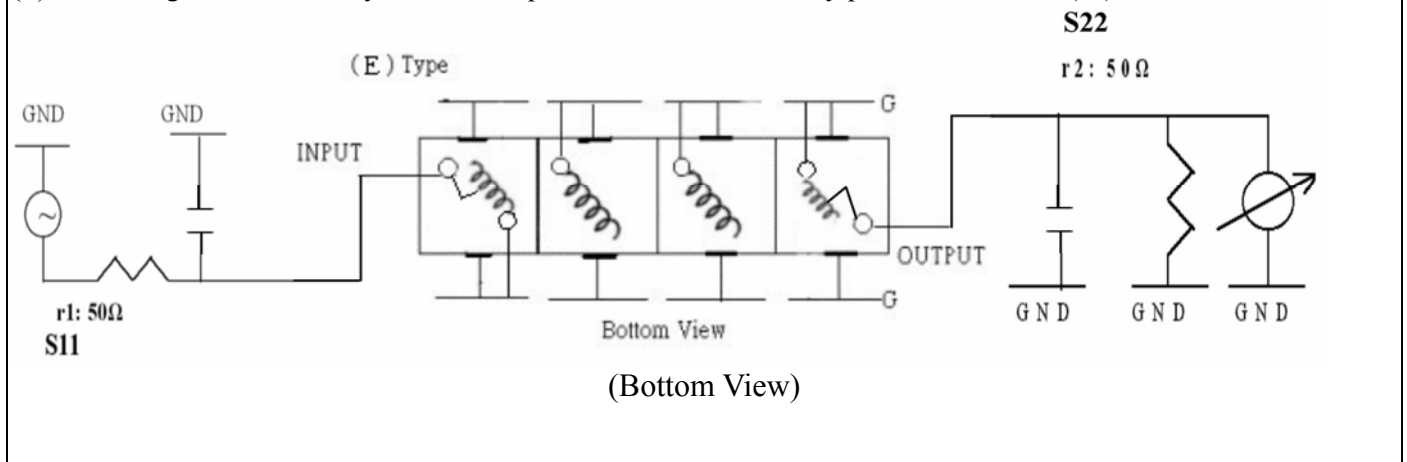
Item	Specify	Performance
Center Freq.(Fo) +/- 0.5 %	2010 MHz	2010 MHz
Insertion Loss	Typ. 3.5 dB	2.91 dB
-3 dB Bandwidth	Typ. 75 MHz	97.7 MHz
Sensitivity (Attenuation)	Fo - 200 MHz	Typ. 55 dBc
	Fo + 200 MHz	Typ. 35 dBc
	Fo - ()MHz	Typ. dBc
	Fo +()MHz	Typ. dBc
Return Loss	Min. 12 dB	12.5 dB
Ripple	< 1 dB	dB
Impedance	In / Out : 50 Ω	In / Out : 50 Ω
(4) Torque for Tuning Screw	> 60gf · cm	

(5) Temperature Condition:

Operating Temperature	0°C ~ +60°C
Storage Temperature	-20°C ~ +70°C

(6) Input Power > 0.5Watt

(7) Measuring Circuit: ※Easy to match Impedance S11/S22 50Ω / by parallel with about(- -).



Approval	Supervisor	Designer	Aperture size
C.Y.Chang	C.K.Chang	P.H.Chiang	5HW4S(3.8*5.1)(5.12) 5HW046RB3.2-J1

TEMWELL CORPORATION

Performance-TFW41003E-2010M

201608030CD

