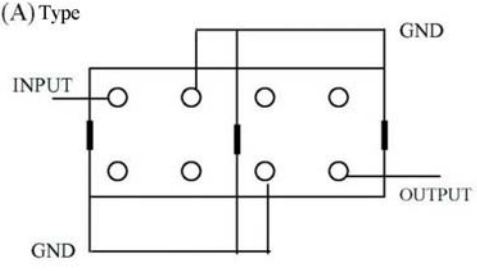
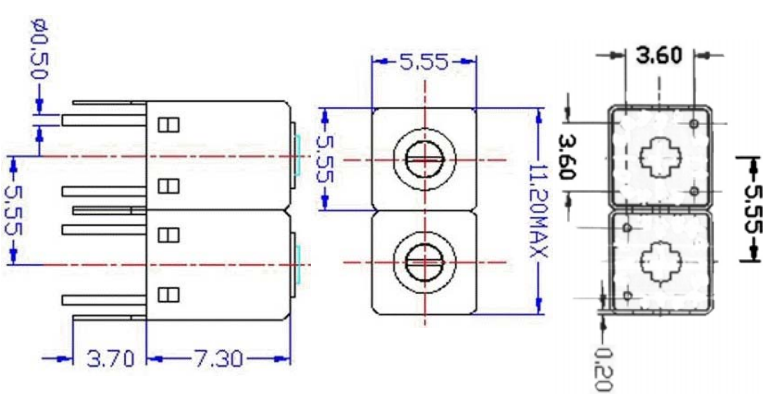


VHF UHF Helical Filter Specification Sheet

Customer Name		Temwell's Part No.	TDR2625A-325M
Approval No. /dated	20204005DC	Acceptable Specify Fo. Range	300~350MHz
Work Instruction No.	20204005DC	Date	Jun.03.2003

<p>(1)Pin Position</p>  <p style="text-align: center;">(Bottom View)</p>	<p>(2)Size Diagram</p> 
---	---

(3)Electric Character

Item	Specify	Performance	
Center Freq.(Fo) +/- 0.5 %	325 MHz	325 MHz	
Tunable Range:	325±8 MHz	325±8 MHz	
Insertion Loss	Typ. 3.0 dB	2.1 dB	
-3 dB Bandwidth	Typ. 18 MHz	21.1 MHz	
Sensitivity (Attenuation)	Fo - 50 MHz	Typ. 21 dBc	24 dBc
	Fo + 50 MHz	Typ. 22 dBc	25 dBc
	Fo - ()MHz	Typ. dBc	dBc
	Fo +()MHz	Typ. dBc	dBc
Return Loss	Min. 12 dB	26 dB	
Ripple	< 1 dB	dB	
Impedance	In / Out : 50 Ω	In / Out : 50 Ω	

(4)Torque for Tuning Screw > 60gf • cm

(5)Temperature Condition:

Operating Temperature	-30°C ~ +70°C
Storage Temperature	-30°C ~ +80°C

(6)Input Power > 0.5Watt

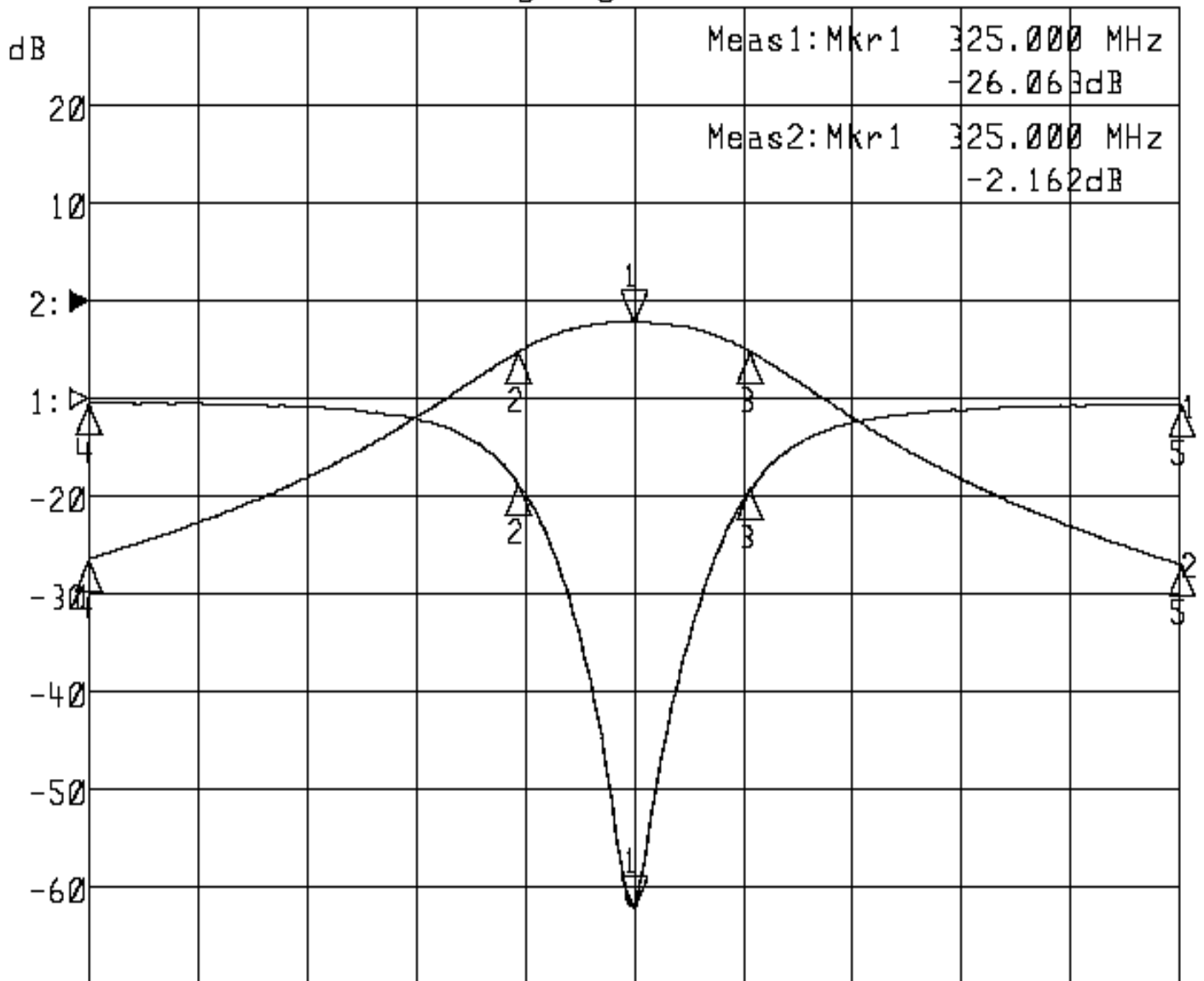
Approval	Supervisor	Designer	Aperture size
C.Y.Chang	C.S.Chang	C.S.Chang	5R2S(3.8*4.7)

TEMWELL CORPORATION

Performance-TDR2625A-325M

20204005DC

►1:S11 Refl Port1 Log Mag 5.0 dB/ Ref 0.00 dB C
►2:S21 Fwd Trans Log Mag 10.0 dB/ Ref 0.00 dB C



Center 325.000 MHz

Span 100.000 MHz

1: Mkr (MHz)	dB	2: Mkr (MHz)	dB
1> 325.0000	-26.063	1> 325.0000	-2.162
2: 314.5000	-4.433	2: 314.5000	-5.185
3: 335.6333	-4.685	3: 335.6333	-5.164
4: 275.0333	-0.210	4: 275.0333	-26.405
5: 375.0000	-0.316	5: 375.0000	-26.952