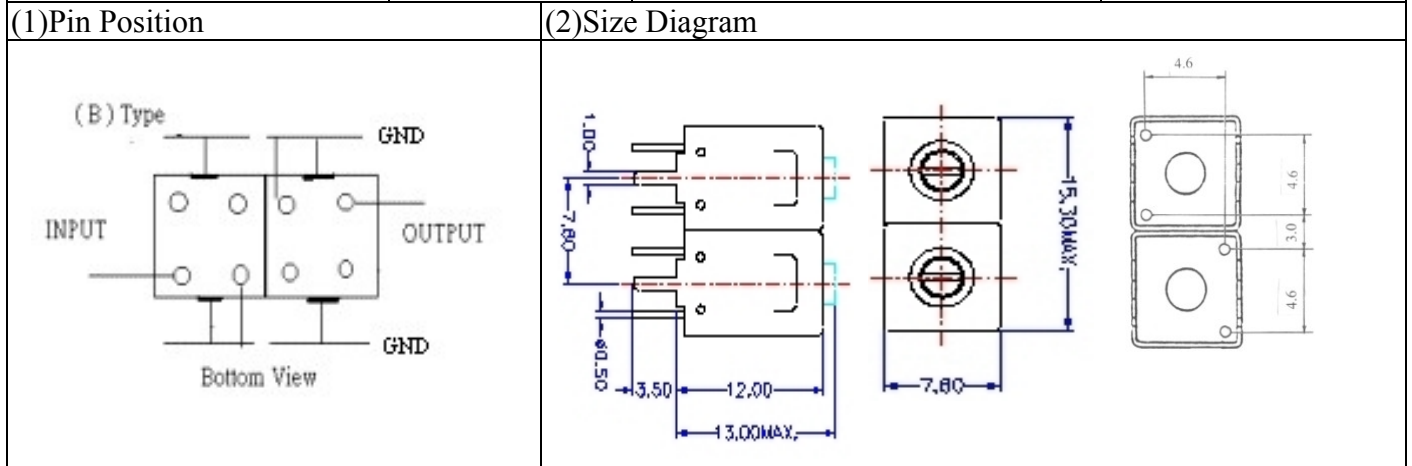


VHF UHF Helical Filter Specification Sheet

Customer Name		Temwell's Part No.	TD67707B-457M
Approval No. /dated	20507058APR	Acceptable Specify Fo. Range	456~515MHz
Work Instruction No.	20507058DC	Date	Jul.20.2005



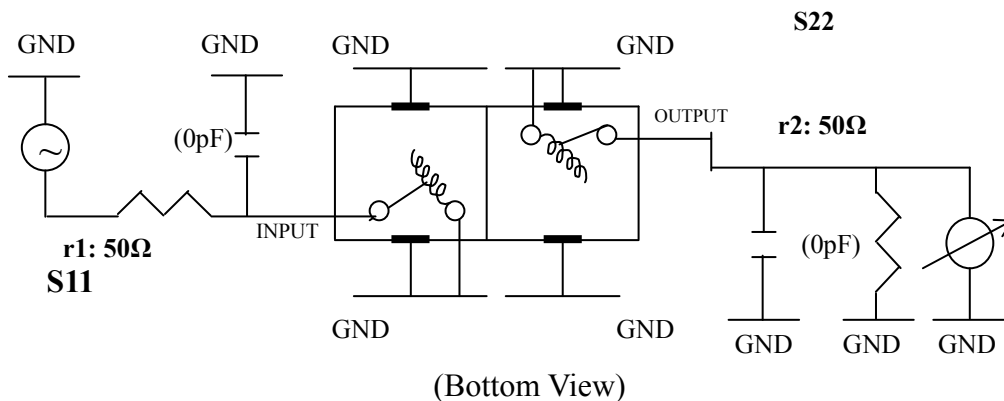
(3) Electric Character			
Item		Specify	Performance
Center Freq.(Fo) +/- 0.5 %		457 MHz	457 MHz
Tunable Range		457±5 MHz	457±5 MHz
Insertion Loss		Typ. 2.0 dB	0.75 dB
-3 dB Bandwidth		Typ. 30 MHz	33.1 MHz
Sensitivity (Attenuation)	Fo - 50 MHz	Typ. 13 dBc	16 dBc
	Fo + 50 MHz	Typ. 17 dBc	20 dBc
	Fo - ()MHz	Typ. dBc	dBc
	Fo +()MHz	Typ. dBc	dBc
Return Loss		Min. 12 dB	25.4 dB
Ripple		< 1 dB	dB
Impedance		In / Out : 50 Ω	In / Out : 50 Ω

(4) Torque for Tuning Screw > 100gf · cm

(5) Temperature Condition:	
Operating Temperature	0°C ~ +60°C
Storage Temperature	-20°C ~ +70°C

(6) Input Power > 1 Watt

(7) Measuring Circuit: ※Easy to match Impedance 50Ω by parallel with about (0) pF.

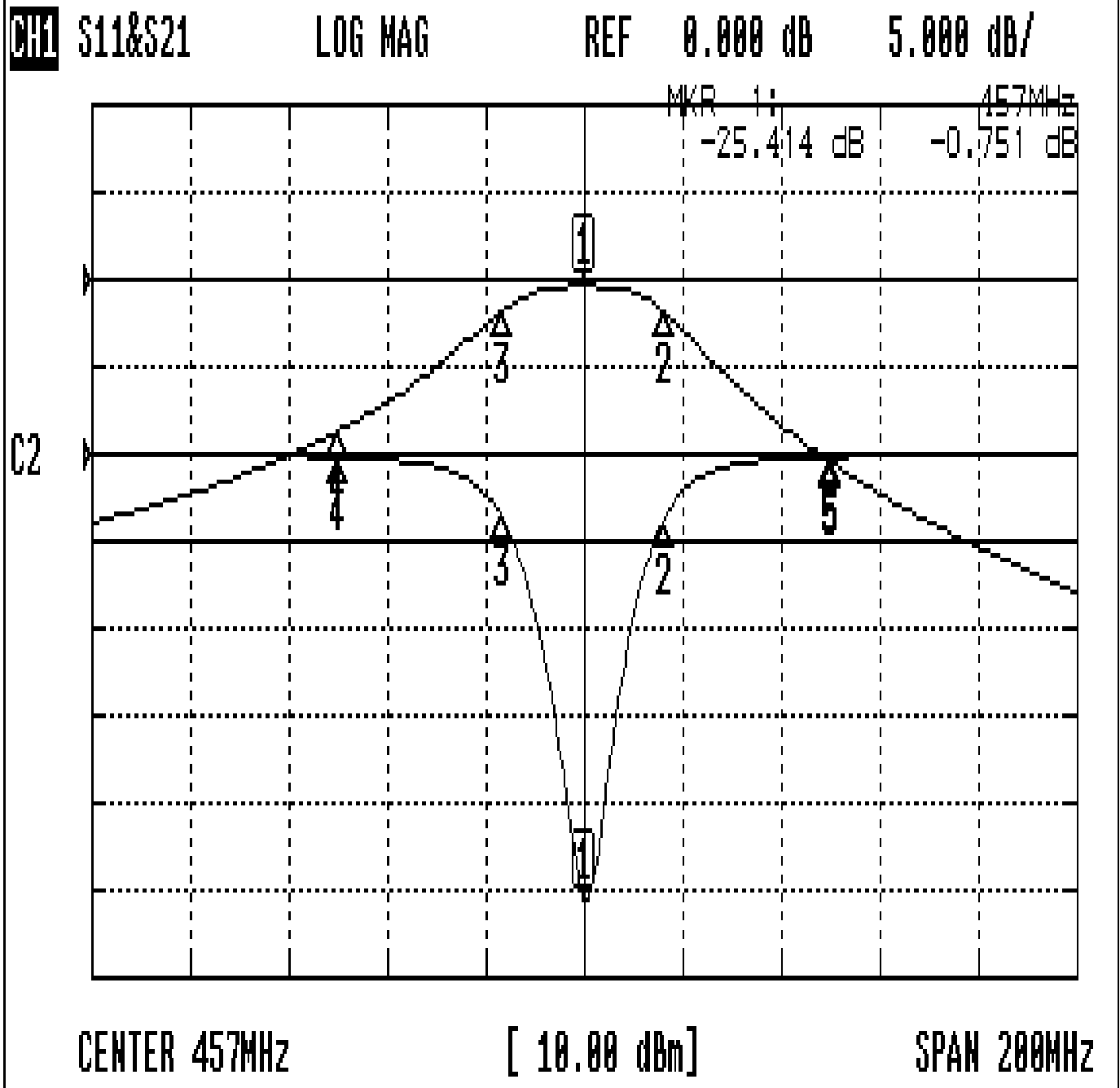


Approval	Supervisor	Designer	Aperture size
C.Y. Chang	C.S. Chang	C.S. Chang	7H2S(4*7.5) 7H046LB4 聚 3

TEMWELL CORPORATION

Performance-TD67707B-457M

20507058DC



CH1 MARKER LIST

1:	457.000MHz	-25.414 dB	-0.751 dB
2:	473.166MHz	-3.781 dB	-3.712 dB
3:	440.000MHz	-3.433 dB	-3.765 dB
4:	407.000MHz	-0.184 dB	-17.405 dB
5:	507.000MHz	-0.152 dB	-20.911 dB