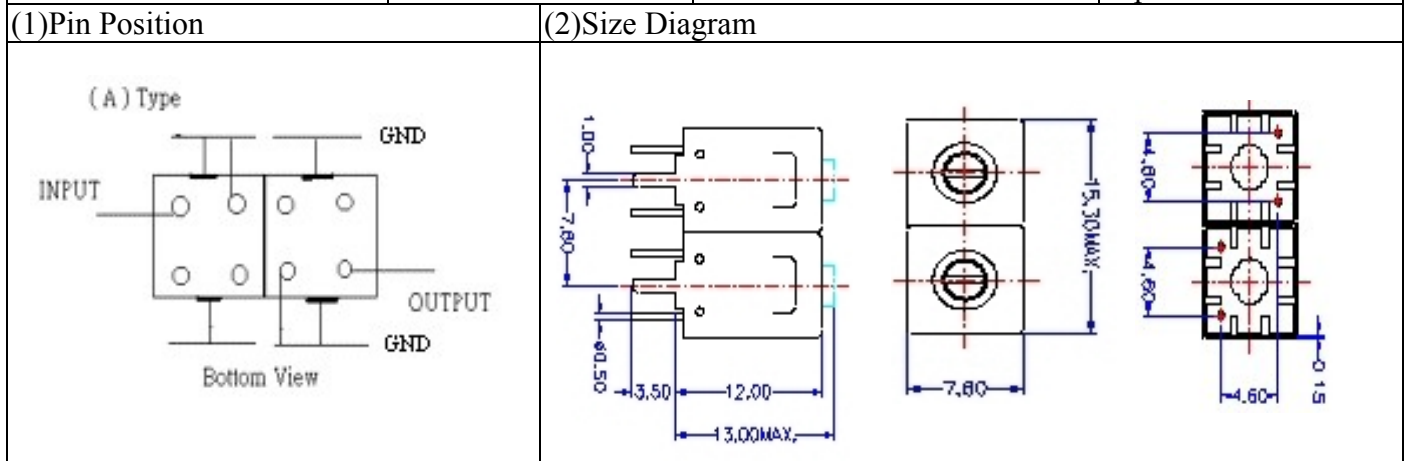


# VHF UHF Helical Filter Specification Sheet

Customer Name		Temwell's Part No.	TD67140A-836.5M
Approval No. /dated	20506037APR	Acceptable Specify Fo Range	831~860 MHz
Work Instruction No.	20506037DC	Date	Sep.07.2006



(3) Electric Charasteric

Item	Specify	Performance	
Center Freq.(Fo ) +/- 0.5 %	836.5 MHz	836.5 MHz	
Tunable Range	836.5±10 MHz	836.5±10 MHz	
Insertion Loss	Typ. 3.5 dB	2.68 dB	
-3 dB Bandwidth	Typ. 10 MHz	16.3 MHz	
Sensitivity (Attenuation)	Fo - 50 MHz	Typ. 28 dBc	31 dBc
	Fo + 50 MHz	Typ. 25 dBc	28 dBc
	Fo - ( )MHz	Typ. dBc	dBc
	Fo +( )MHz	Typ. dBc	dBc
Return Loss	Min. 12 dB	23.0 dB	
Ripple	< 1 dB	dB	
Impedance	In / Out : 50 Ω	In / Out : 50 Ω	

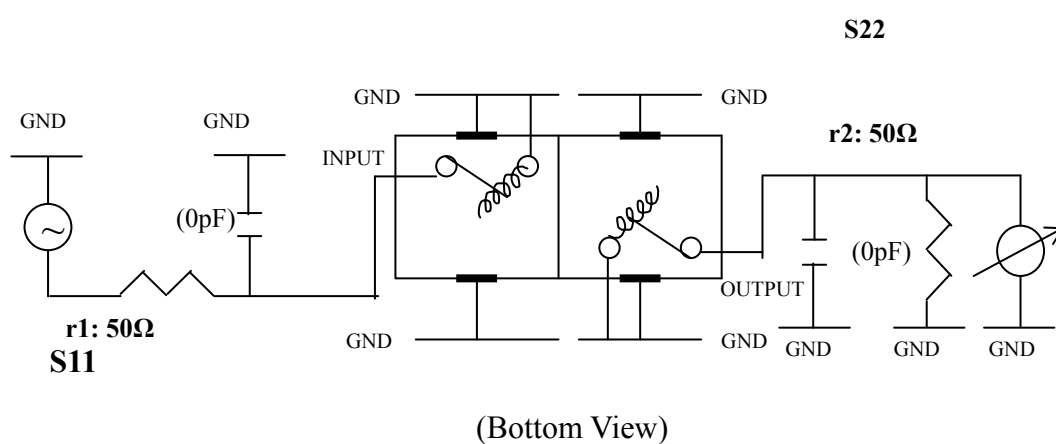
(4) Torque for Tuning Screw > 100gf · cm

(5) Temperature Condition:

Operating Temperature	0°C ~ +60°C
Storage Temperature	-20°C ~ +70°C

(6) Input Power > 1Watt

(7) Measuring Circuit: ※Easy to match Impedance 50Ω/ by parallel with about (0) pF.



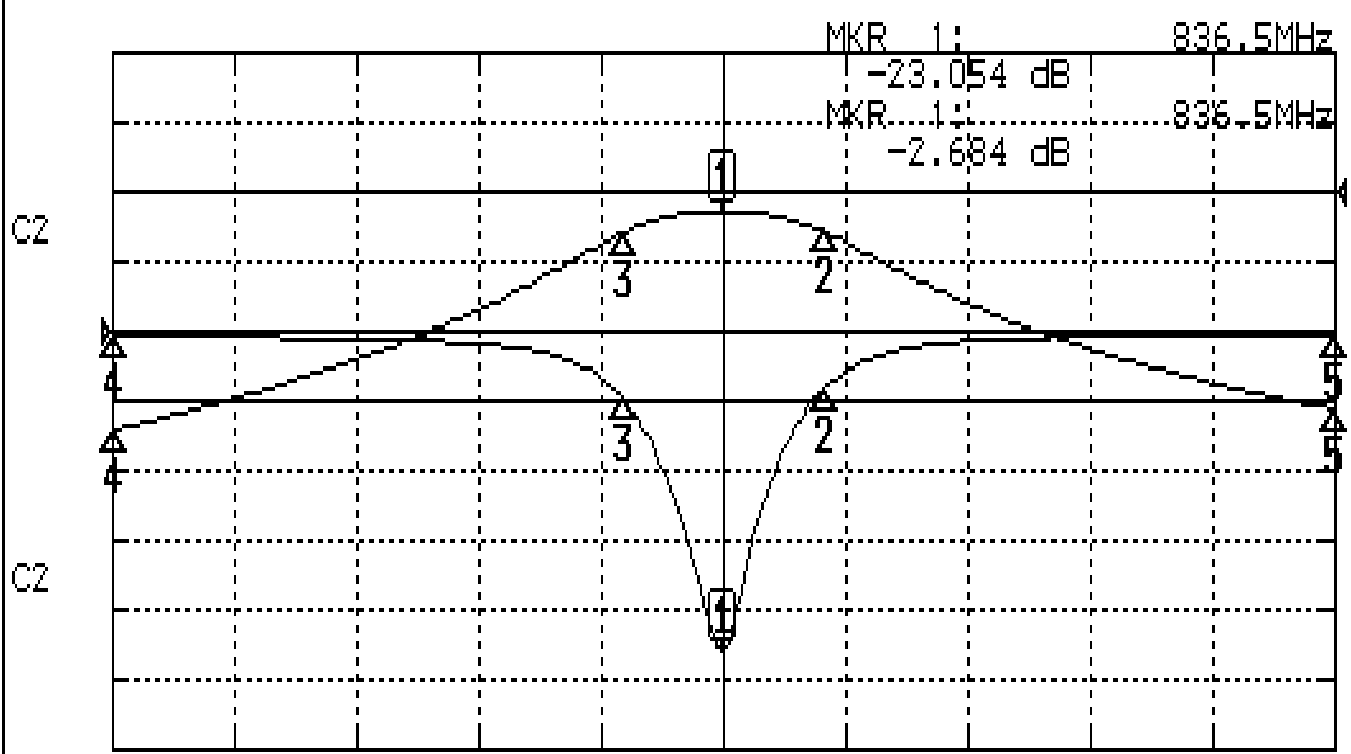
Approval	Supervisor	Designer	Aperture size
C.Y.Chang	C.S.Chang	W.W.Wang	7H2(4*5.35)F 7H046LB4 聚 3

TEMWELL CORPORATION

# Performance-TD67140A-836.5M

## 20506037B

<b>CH1</b>	S11	LOG MAG	REF	0.000 dB	5.000 dB/
<b>CH2</b>	S21	LOG MAG	REF	0.000 dB	10.000 dB/



**CENTER 836.5MHz**

**[ 10.00 dBm ]**

**SPAN 100MHz**

**CH1 MARKER LIST**

1	836.500MHz	-23.054	dB
2	844.750MHz	-4.117	dB
3	828.416MHz	-4.975	dB
4	786.500MHz	-0.365	dB
5	886.500MHz	-0.295	dB

**CH2 MARKER LIST**

1	836.500MHz	-2.685	dB
2	844.750MHz	-1.701	dB
3	828.416MHz	-1.740	dB
4	786.500MHz	-34.227	dB
5	886.500MHz	-31.208	dB