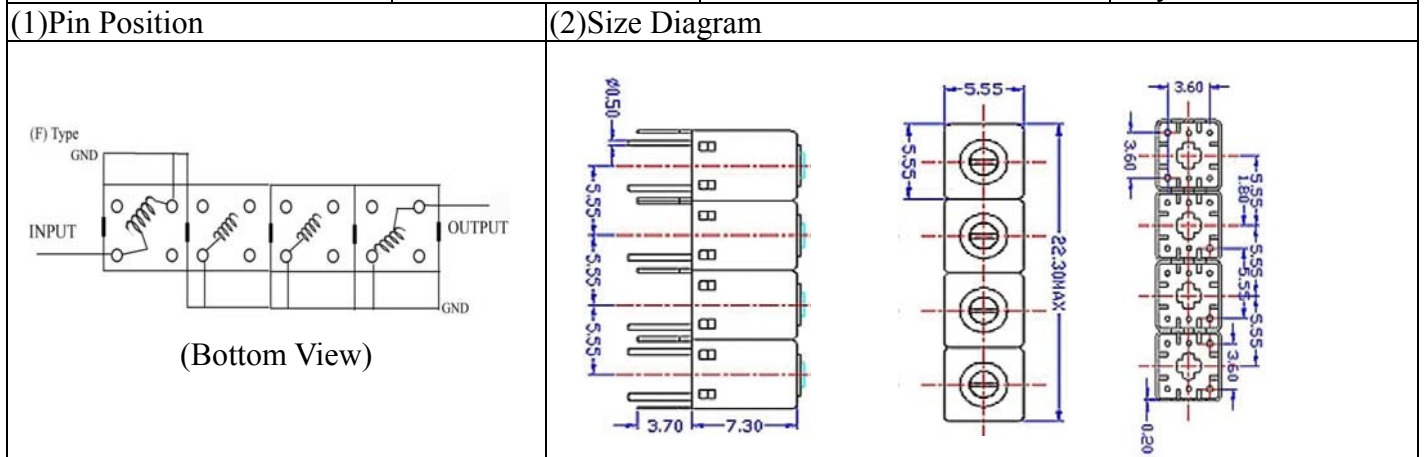


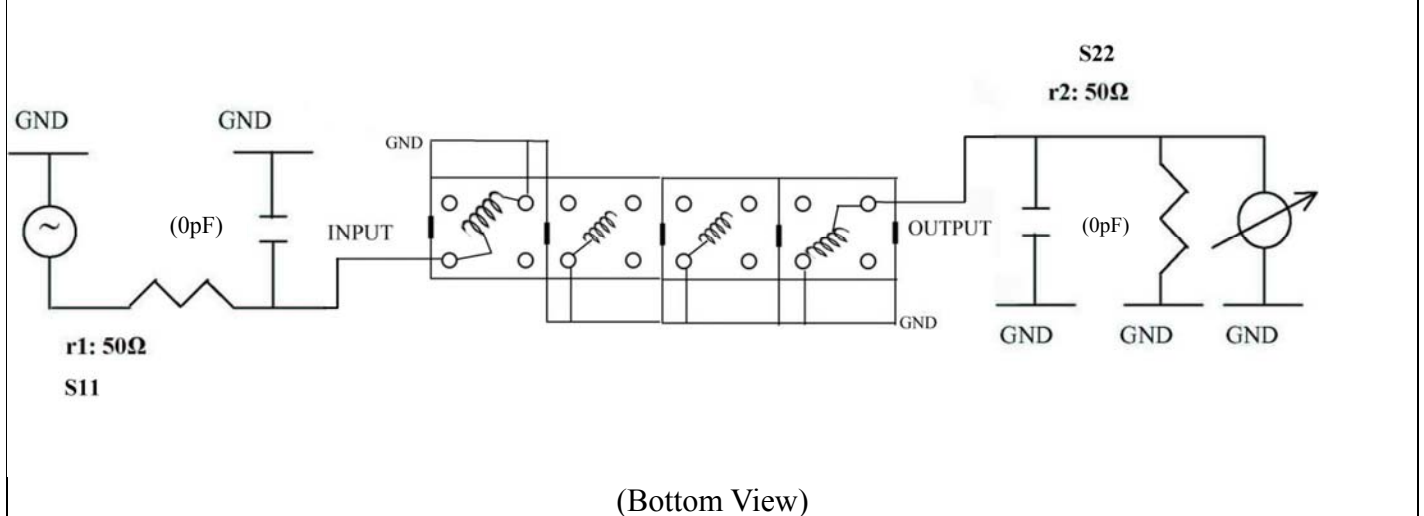
# VHF UHF Helical Filter Specification Sheet

Customer Name		Temwell's Part No.	K4RF-520M-18M
Approval No. /dated	0904187CD	Temwell's Print Name.	K4RF 520M
Work Instruction No.	200904187CD	Date	May.11.2009



(3) Electric Chararistic		Specify		Performance	
Center Freq.(Fo) +/- 0.5 %		520 MHz		520 MHz	
Insertion Loss		Typ. 4.5 dB		3.80 dB	
-3 dB Bandwidth		Typ. 18 MHz		21.0 MHz	
Sensitivity (Attenuation)	Fo - 50 MHz	Typ. 56 dBc		59 dBc	
	Fo + 50 MHz	Typ. 46 dBc		49 dBc	
	Fo - ( )MHz	Typ. dBc		dBc	
	Fo +( )MHz	Typ. dBc		dBc	
Return Loss		Min. 12 dB		20.9 dB	
Ripple		< 1 dB		dB	
Impedance		In / Out : 50 Ω		In / Out : 50 Ω	
(4) Torque for Tuning Screw		> 60gf • cm			
(5) Temperature Condition:					
Operating Temperature		0°C ~ +60°C			
Storage Temperature		-20°C ~ +70°C			
(6) Input Power		> 0.5Watt			

(7) Measuring Circuit: ※Easy to match Impedance S11/S22 50Ω by parallel with about( 0pF) / ( 0pF).

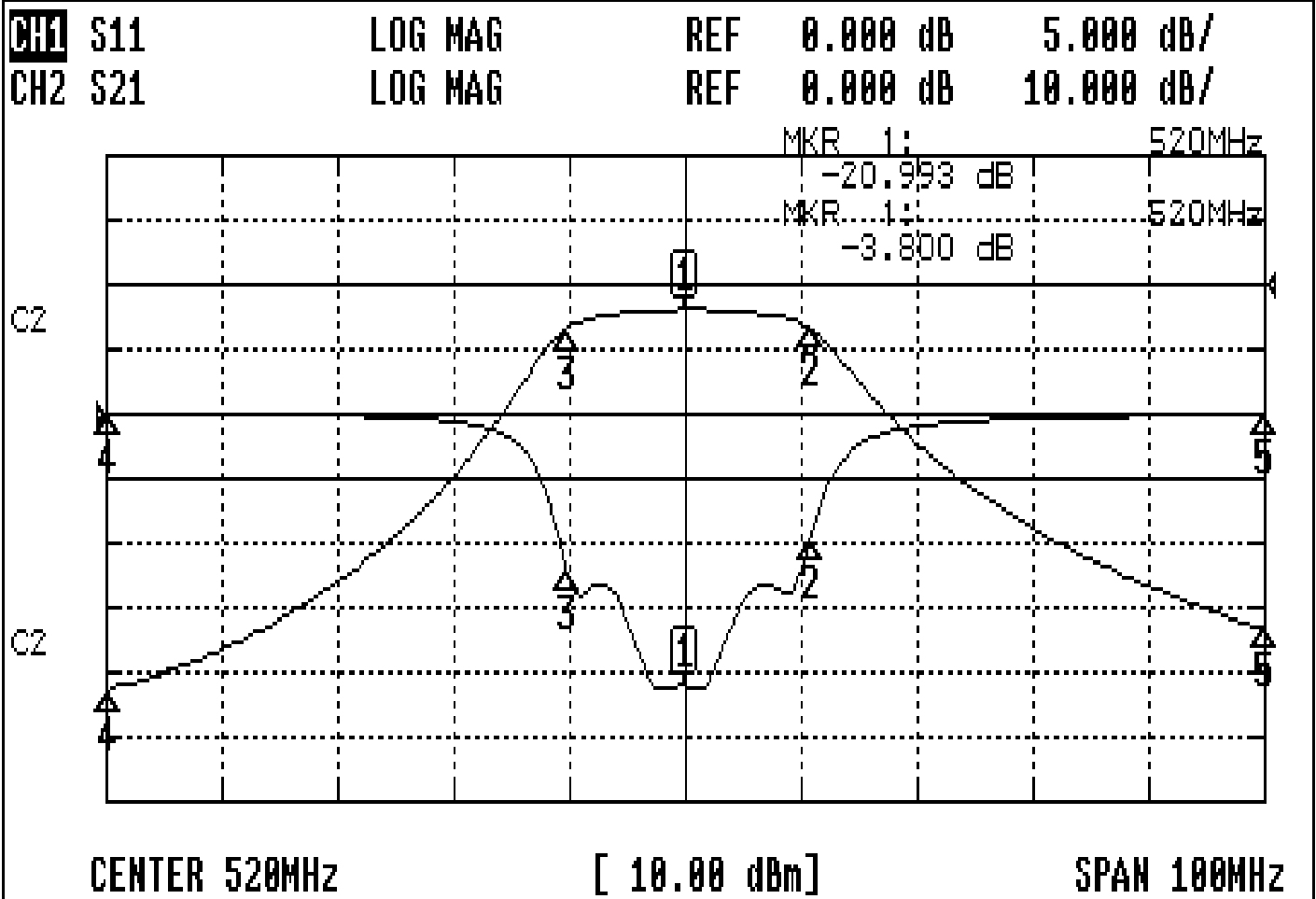


Approval	Supervisor	Designer	Aperture size
C.Y.Chang	C.K.Chang	Y.H.Yeh	5R4S(3.8*3.7)(3.72) 5HW024LB3

TEMWELL CORPORATION

# Performance-K4RF-520M-18M

## 200904187CD



### CH1 MARKER LIST

1:	520.000MHz	-20.996	dB
2:	530.820MHz	-9.713	dB
3:	509.833MHz	-12.158	dB
4:	470.000MHz	-0.052	dB
5:	570.000MHz	-0.043	dB
6:			
7:			
8:			
9:			
10:			

### CH2 MARKER LIST

1:	520.000MHz	-3.800	dB
2:	530.820MHz	-1.003	dB
3:	509.833MHz	-1.024	dB
4:	470.000MHz	-2.976	dB
5:	570.000MHz	-3.417	dB
6:			
7:			
8:			
9:			
10:			