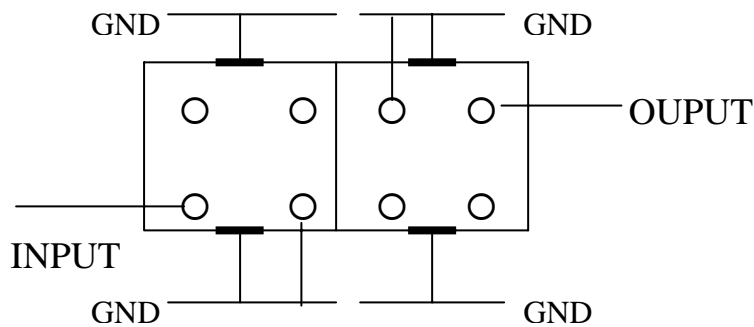


## VHF UHF Helical Filter Specification Sheet

Customer Name		Temwell's Part No.	K2B-520M-10M
Approval No. /dated	20401010DC	Customer's Part No.	
Work Instruction No.	20401010DC	Date	Jan.09.2004
<input type="checkbox"/> Buyer Print name		<input type="checkbox"/> Temwell,s print name	
Case Name	7H2	Case size :	
Terminator Type	B		

\* Pin Position (Pin Connection) diagram as following

( B ) Type



(Bottom View )

### (3) Electric Charasteric

Item	Specify	Performance
Center Freq.(Fo ) +/- 0.5 %	520 MHz	520 MHz
Insertion Loss	2.0 dB	1.43 dB
-3 dB Bandwidth	10 MHz	21 MHz
Sensentivity (Attenuation )	Fo - 50 MHz	Typ. 30 dB
	Fo + 50 MHz	Typ. 20 dB
	Fo - ( ) MHz	Typ. dB
	Fo +( ) MHz	Typ. dB
Return Loss	Min. 12 dB	30 dB
Ripple	< 1 dB	dB
Group Delay	ns	ns
Impedance	In / Out : 50 Ω	In / Out : 50 Ω

### 4. Temperature Condition:

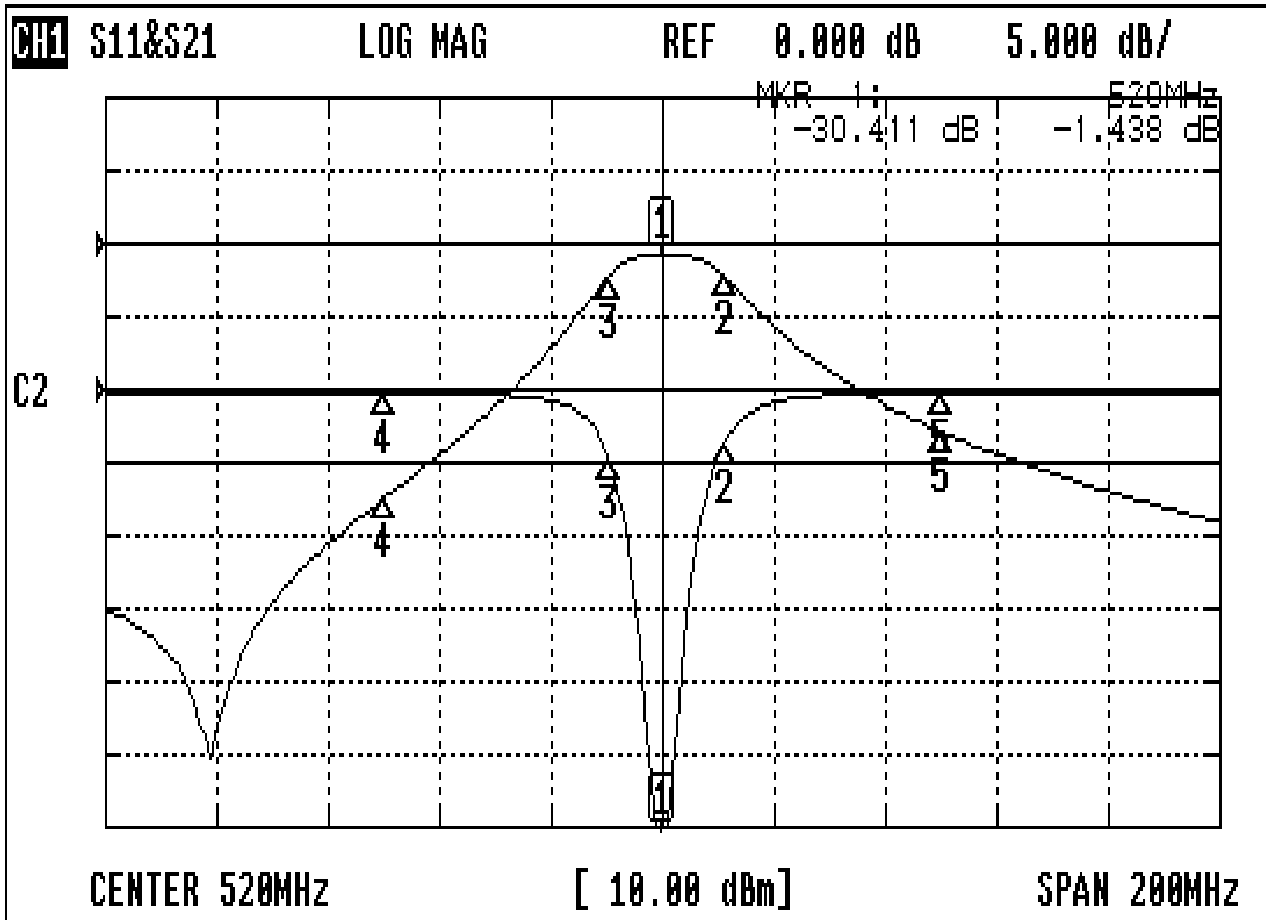
Operating Temperature	0 ~ +60
Storage Temperature	-20 ~ +70

Approval	Supervisor	Designer	Aperture size
	C.S.Chang	P.H.Ching	7H2(4*5.5)(5.67) 7H046RB4

**TEMWELL CORPORATION**

# Performance-K2B-520M-10M

## 20401010DC



### CH1 MARKER LIST

1:	520.000MHz	-30.411 dB	-1.438 dB
2:	531.000MHz	-3.756 dB	-4.455 dB
3:	510.500MHz	-4.734 dB	-4.473 dB
4:	470.000MHz	-0.285 dB	-34.938 dB
5:	570.000MHz	-0.283 dB	-25.785 dB
6:			
7:			
8:			
9:			
10:			