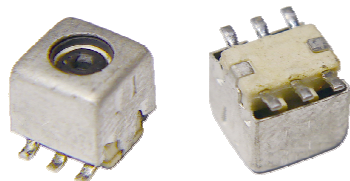


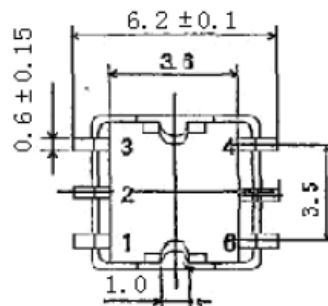
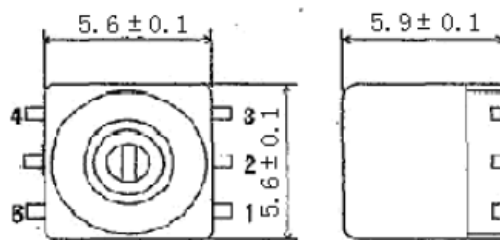
SMD Variable Coils – 5CCE (A638AN) series

www.temwell.com

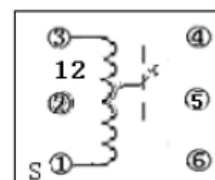
- Temstron supply alternative to Toko 5CCE (A638AN) series



Unit: mm



Reference



- Torque: 45-300g/CM
- Operate Humidity: 25% 85%
- Storage Humidity: 45% 75%RH
- ISO:9001 certificated

Temstron P/N	Toko P/N	Inductance L (nH) & Adjustable Range ± (%)	Q	Test Freq (MHz)
0150Z-5CCE	A638AN-0150Z	68±5%	60±20%	100
0151Z-5CCE	A638AN-0151Z	82±5%	63±20%	100
0152Z-5CCE	A638AN-0152Z	100±5%	65±20%	100
0153Z-5CCE	A638AN-0153Z	120±5%	68±20%	100
0154Z-5CCE	A638AN-0154Z	150±5%	63±20%	100
0155Z-5CCE	A638AN-0155Z	180±5%	73±20%	100
0156Z-5CCE	A638AN-0156Z	220±5%	60±20%	100
0157Z-5CCE	A638AN-0157Z	270±5%	72±20%	80
0158Z-5CCE	A638AN-0158Z	330±5%	75±20%	80
0159Z-5CCE	A638AN-0159Z	390±5%	68±20%	80
0160Z-5CCE	A638AN-0160Z	470±5%	67±20%	60
0161Z-5CCE	A638AN-0161Z	560±5%	68±20%	60
0162Z-5CCE	A638AN-0162Z	680±5%	50±20%	30
0163Z-5CCE	A638AN-0163Z	820±5%	48±20%	30
0164Z-5CCE	A638AN-0164Z	1000±5%	50±20%	30
0165Z-5CCE	A638AN-0165Z	1200±5%	48±20%	30
0166Z-5CCE	A638AN-0166Z	1500±5%	48±20%	30

Please take our replacement samples to do approval test such as match circuit before mass production.
 General temperature condition cannot endure at -40 to +85 deg C.
 If high temperature range is required, please advise firstly, we can adopt special materials for.

TEMWELL & TEMSTRON www.temwell.com

8F-1, No.51, Sec.1, MinSheng E.Rd • Taipei 104 • Taiwan (R.O.C.)

Tel: 886-2-25652500 • Fax: 886-2-2551-5250 • E-mail: sales@temwell.com.tw

