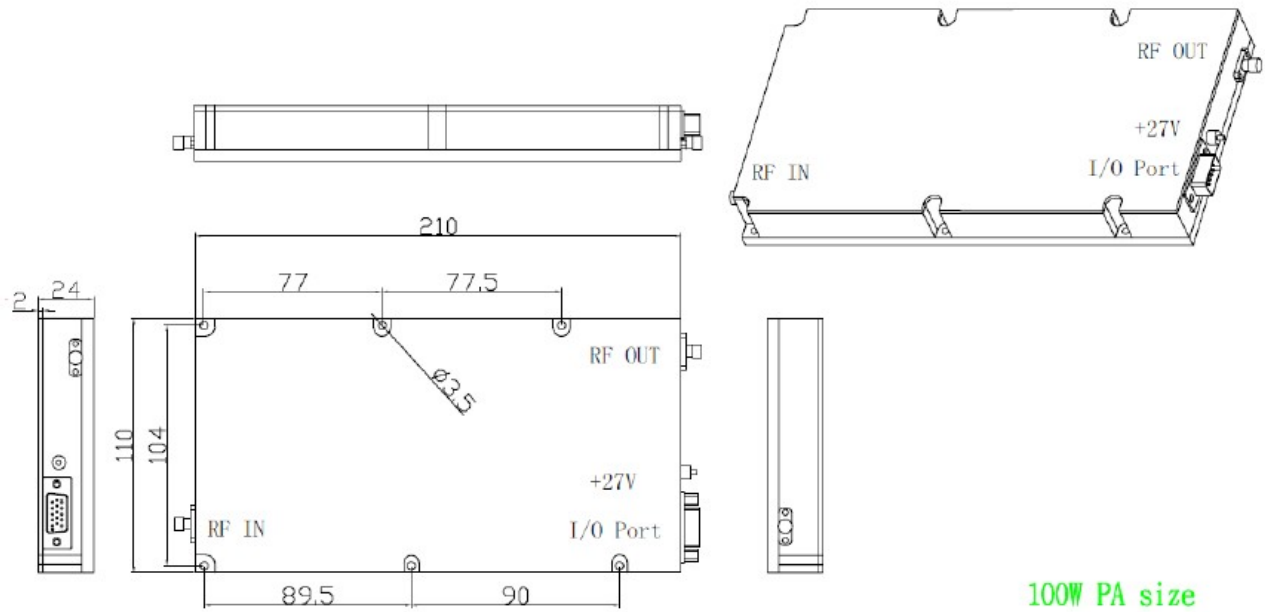
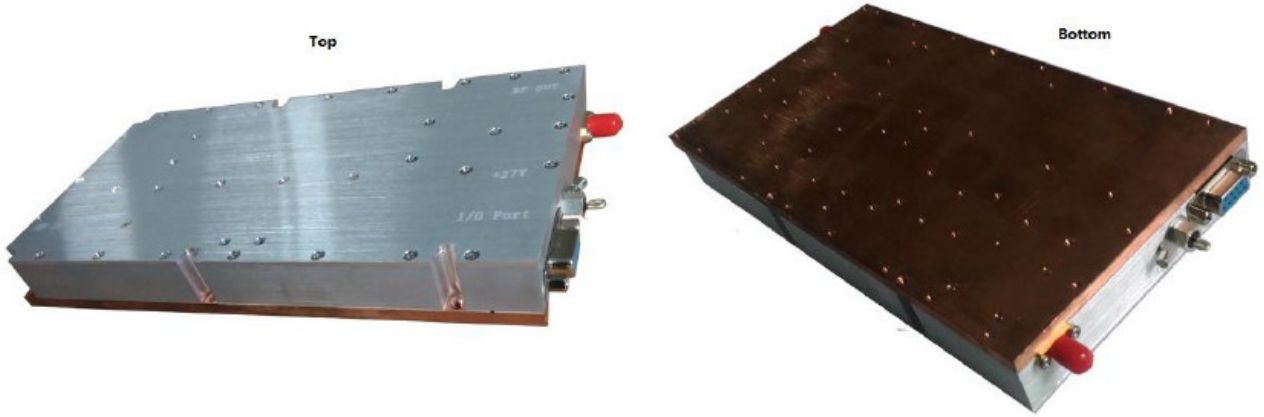


Power Amplifier Specifications

Serial	Parameters	Specifications	Test Results	
1	Frequency Range	2110-2170MHz	YES	
2	Output Power	43dBm	43.5dBm	
3	ACPR	-40dBC	-40.5dBC	
4	Working Current	<6A	5.5A	
5	PA Gain	>50dB	51dB	
6	PA Gain Adjust	31dB,1dB Step	OK	
7	In-Band Ripple	2dB	0.2dB	
8	IN/OUT VSWR	≤1.5	1.35	
9	Working Voltage	28VDC	OK	
10	RF IN/OUT Ports	SMA - Female	OK	
11	Power Supply Port	Pull-core Capacitance	YES	
12	Working Temperature	- 25°C to ..65°C	OK	
13	Protection	Shutdown more than 75°C , auto-restart less than 50°C	OK	
		Shutdown over High-VSWR, auto-restart after 30s	OK	
14	I/O Port	DB15 Female (Parall)	PIN1: 1dB (Hang in air or add 5V: No ATT; Grounding: Enable ATT)	√
			PIN2: 2dB (Hang in air or add 5V: No ATT; Grounding: Enable ATT)	√
			PIN3: 4dB (Hang in air or add 5V: No ATT; Grounding: Enable ATT)	√
			PIN4: 8dB (Hang in air or add 5V: No ATT; Grounding: Enable ATT)	√
			PIN5:16dB (Hang in air or add 5V: No ATT; Grounding: Enable ATT)	√
			PIN7: VSWR (Reflected RF Power Indicator; Max voltage:5V)	OK 43dBm, 3.1V
			PIN10: P/L (Output RF Power Indicator; Max voltage:4V)	43dBm, 3.9V
			PIN11: LE /EN (5V: PA OFF; Hang in air or grounding: PA ON)	OK
			PIN14: T/L(Temperature Indicator :0.01V/1Celsius)	0.75, 25°C
			PIN15: GND	√
		PIN6, PIN8,PIN9, PIN12, PIN13: NC	√	
15	Dimension	210*110*25mm (Exclusive Connector)	√	
16	Configuration	As below (Size Unit: mm)		
17	Power Supply (add)	48V-28V	OK	



100W PA size



Performance

Gain performance and ACPR Performance is attached

